



PIONEER FLUID POWER

HIGH PRESSURE GEAR PUMP

# BKP0.5

## 如何订购/ HOW TO ORDER

BK	P	0.5	前盖 Front cover	旋向 Rotation	规格 Size	轴伸 Shaft	油口 Ports	油口位置 Ports position	油封 Seals	可选项 Options
系列号 Series	P- 齿轮泵 Pump	组别 Group	A0	D 顺时针转 Clockwise	0.19					
			A1	S 逆时针转 Counter clockwise	0.26					
			B0	R 可正反转 Reversible	0.38					
			B1		0.50					
					0.65					
					0.75					
					0.88					
					1.00					
					1.25					
					1.50					
					1.75					
					2.00					

可选项/ Options	
V-方向阀	V-Directional valves
排油管/ Drain	
Q0-内部排油 / internal drain	
Q1-外部排油 / external drain $\varnothing$ 5	
Q2-外部排油 / external drain G1/8	

### 油口位置

省略-侧进侧出  
A-前进前出  
B-后进前出  
C-后进侧出  
D-侧进前出  
R-后进后出

### Ports position

Omit-Side inlet and side outlet  
A-Front inlet and front outlet  
B-Back inlet and front outlet  
C-Back inlet and side outlet  
D-Side inlet and front outlet  
R-Back inlet and back outlet

### 油封

省略-温度范围在-10℃~+80℃,进油口最高绝对压力为3bar。  
V-适用于高温介质, 温度范围在-10℃~+120℃。  
H-适用于低温介质, 温度范围在-40℃~+80℃。  
T-适用于进油口最大绝对压力3~6bar。  
N-适用于进油口最大绝对压力3~10bar。

### Seals

Omit-Range between -10℃ and +80℃, inlet pressure up to max. 3 bar absolute.  
V-Version suitable for fluid at hi-temperatures, range between -10℃ and +120℃.  
H-Version suitable for fluid at low-temperatures, range between -40℃ and +80℃.  
T-Version suitable for inlet pressure up to max. 3 and 6 bar absolute.  
N-Version suitable for inlet pressure up to max. 3 and 10 bar absolute.

### 范例/ Examples:

BKP0.5-B0-D-0.19-G0-L0-B= 顺时针转, 排量 0.19 cc/rev, B0 前盖, G0 扁键轴伸, L0 安装油口, 后进前出, 标准油封  
clockwise rotation, 0.19 cc/rev, B0 front cover, G0 tang shaft, setting ports L0 type, back inlet and front outlet (B), standard seals

BKP0.5-B1-D-0.19-G0-L2= 顺时针转, 排量 0.19 cc/rev, B1 前盖, G0 扁键轴伸, L2 安装油口, 标准油封  
clockwise rotation, 0.19 cc/rev, B1 front cover, G0 tang shaft, setting ports L2 type, standard seals

BKP0.5-A0-D-0.19-C0-L2-N= 顺时针转, 排量 0.19 cc/rev, A0 前盖, C0 圆柱轴伸, L2 安装油口, 高压油封(N)  
clockwise rotation, 0.19 cc/rev, A0 front cover, C0 parallel shaft, setting ports L2 type, high pressure seals(N)

# BKP0.5B0

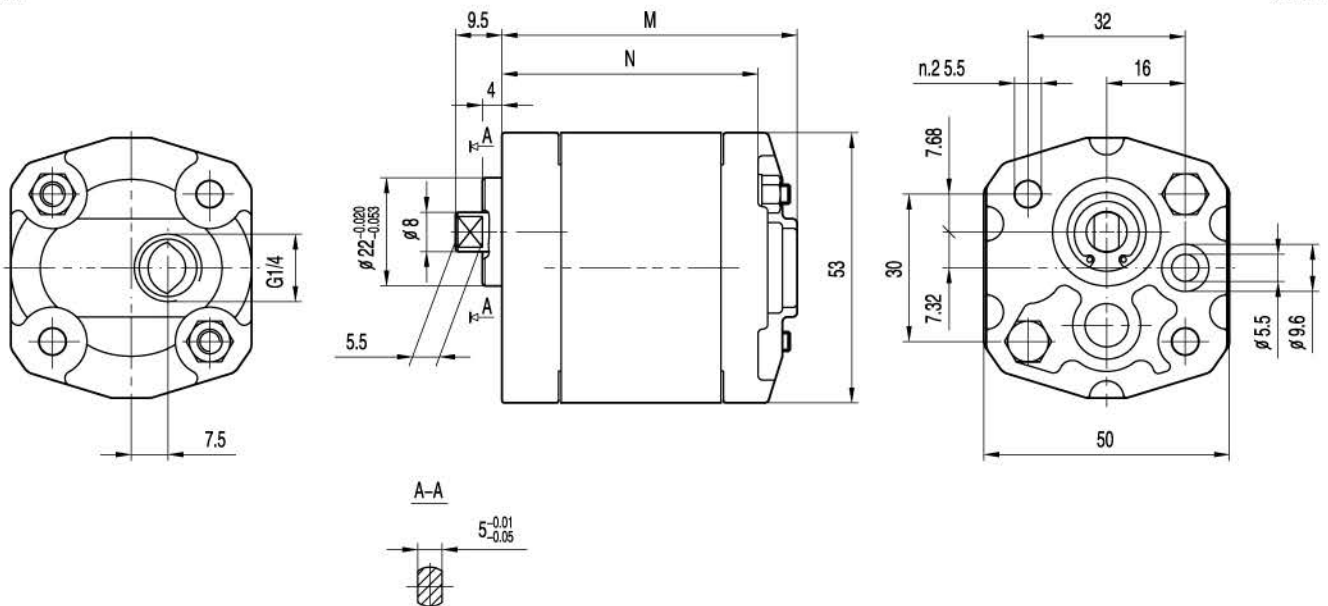


后盖: G1/4 螺纹深 12.  
安装泵时, n.2 M5 螺钉扭矩设定为  
5.4 ± 0.5 Nm.

End cover: G1/4 thread depth 12.  
To mount the pump, n.2 M5 screws,  
with a torque wrench setting fixed  
at 5.4 ± 0.5 Nm.

进油口  
INLET

出油口  
OUTLET



规格 Type	排量 Displacement (cm <sup>3</sup> /rev)	最大压力 Max pressure			最高转速 Max. speed (r/min)	最低转速 Min. speed (r/min)	尺寸 Dimensions	
		P1 bar	P2 bar	P3 bar			M mm	N mm
BKP0.5B0-D-0.19	0.19	200	230	250	7000	1000	60	51
BKP0.5B0-D-0.26	0.26	200	230	250	7000	1000	60.5	51.5
BKP0.5B0-D-0.38	0.38	200	230	250	7000	1000	61.5	52.5
BKP0.5B0-D-0.50	0.50	200	230	250	7000	1000	62.5	53.5
BKP0.5B0-D-0.65	0.65	200	230	250	7000	1000	63.5	54.5
BKP0.5B0-D-0.75	0.75	200	230	250	7000	1000	64.5	55.5
BKP0.5B0-D-0.88	0.88	200	230	250	7000	1000	65.5	56.5
BKP0.5B0-D-1.00	1.00	200	230	250	6000	850	66.5	57.5
BKP0.5B0-D-1.25	1.25	200	230	250	5000	700	68.5	59.5
BKP0.5B0-D-1.50	1.50	200	230	250	4000	600	70.5	61.5
BKP0.5B0-D-1.75	1.75	180	210	230	4000	600	72.5	63.5
BKP0.5B0-D-2.00	2.00	160	190	210	3000	500	74.5	65.5

# BKP0.5B1

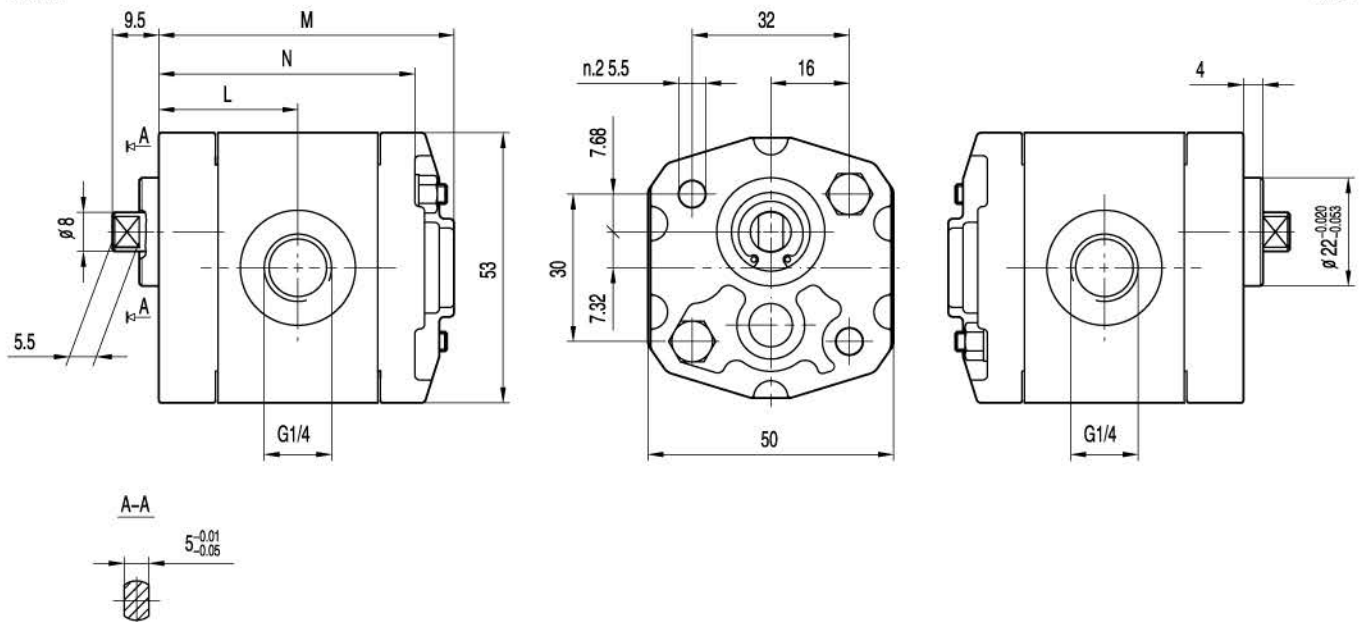


G1/4 螺纹深 9。  
安装泵时，n.2 M5 螺钉扭矩设定为  
 $5.4 \pm 0.5$  Nm.

G1/4 thread depth 9.  
To mount the pump, n.2 M5 screws,  
with a torque wrench setting fixed  
at  $5.4 \pm 0.5$  Nm.

出油口  
OUTLET

进油口  
INLET



规格 Type	排量 Displacement	最大压力 Max pressure			最高转速 Max. speed	最低转速 Min. speed	尺寸 Dimensions		
		P1	P2	P3			M	N	L
	(cm <sup>3</sup> /rev)	bar	bar	bar	(r/min)	(r/min)	mm	mm	mm
BKP0.5B1-D-0.19	0.19	200	230	250	7000	1000	60	51	27.2
BKP0.5B1-D-0.26	0.26	200	230	250	7000	1000	60.5	51.5	27.5
BKP0.5B1-D-0.38	0.38	200	230	250	7000	1000	61.5	52.5	28
BKP0.5B1-D-0.50	0.50	200	230	250	7000	1000	62.5	53.5	28.5
BKP0.5B1-D-0.65	0.65	200	230	250	7000	1000	63.5	54.5	29
BKP0.5B1-D-0.75	0.75	200	230	250	7000	1000	64.5	55.5	29.5
BKP0.5B1-D-0.88	0.88	200	230	250	7000	1000	65.5	56.5	30
BKP0.5B1-D-1.00	1.00	200	230	250	6000	850	66.5	57.5	30.5
BKP0.5B1-D-1.25	1.25	200	230	250	5000	700	68.5	59.5	31.5
BKP0.5B1-D-1.50	1.50	200	230	250	4000	600	70.5	61.5	32.5
BKP0.5B1-D-1.75	1.75	180	210	230	4000	600	72.5	63.5	33.5
BKP0.5B1-D-2.00	2.00	160	190	210	3000	500	74.5	65.5	34.5

# BKP0.5A0

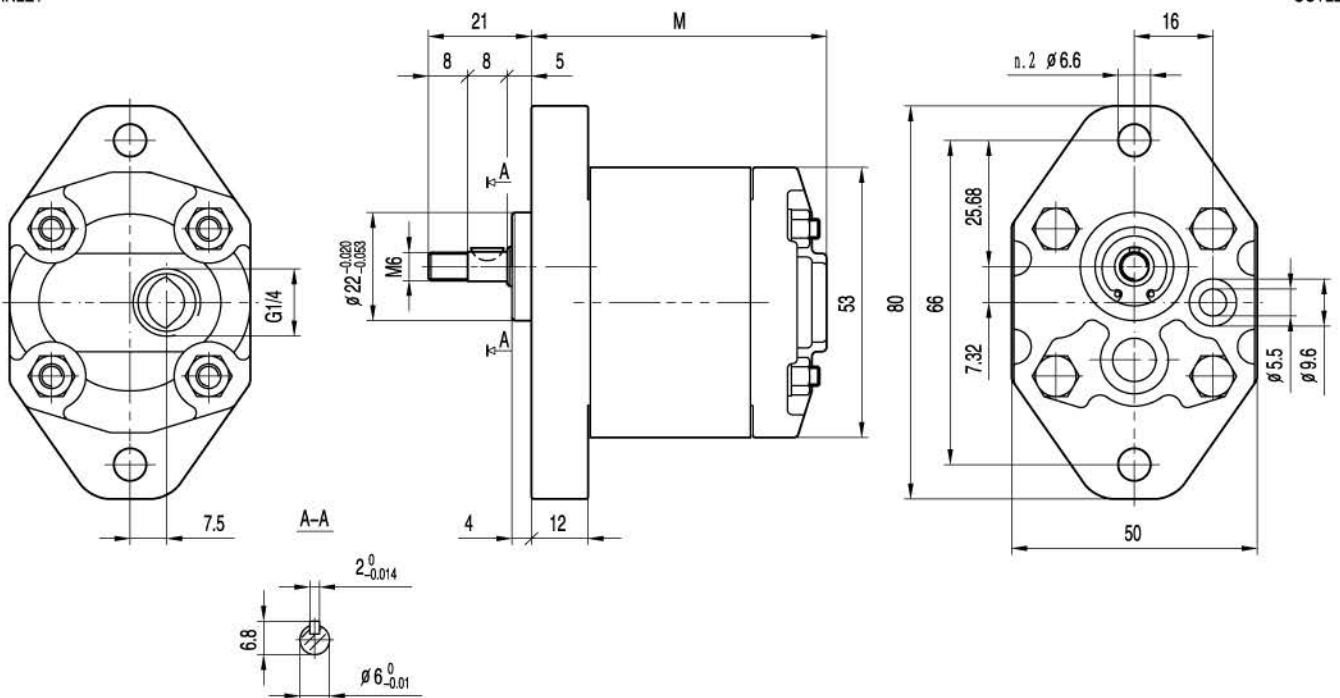


后盖: G1/4 螺纹深 12.  
 安装泵时, n.4 M5 螺钉扭矩设定为  
 $5.4 \pm 0.5$  Nm.  
 轴伸 M6 螺母扭矩设定为 7 Nm.

End cover: G1/4 thread depth 12.  
 To mount the pump, n.4 M5 screws,  
 with a torque wrench setting fixed  
 at  $5.4 \pm 0.5$  Nm.  
 Shaft M6 nut, with a torque wrench  
 setting fixed at 7 Nm.

进油口  
 INLET

出油口  
 OUTLET



规格 Type	排量 Displacement (cm <sup>3</sup> /rev)	最大压力 Max pressure			最高转速 Max. speed (r/min)	最低转速 Min. speed (r/min)	尺寸 Dimensions M mm
		P1 bar	P2 bar	P3 bar			
BKP0.5A0-D-0.19	0.19	200	230	250	7000	1000	60
BKP0.5A0-D-0.26	0.26	200	230	250	7000	1000	60.5
BKP0.5A0-D-0.38	0.38	200	230	250	7000	1000	61.5
BKP0.5A0-D-0.50	0.50	200	230	250	7000	1000	62.5
BKP0.5A0-D-0.65	0.65	200	230	250	7000	1000	63.5
BKP0.5A0-D-0.75	0.75	200	230	250	7000	1000	64.5
BKP0.5A0-D-0.88	0.88	200	230	250	7000	1000	65.5
BKP0.5A0-D-1.00	1.00	200	230	250	6000	850	66.5
BKP0.5A0-D-1.25	1.25	200	230	250	5000	700	68.5
BKP0.5A0-D-1.50	1.50	200	230	250	4000	600	70.5
BKP0.5A0-D-1.75	1.75	180	210	230	4000	600	72.5
BKP0.5A0-D-2.00	2.00	160	190	210	3000	500	74.5

# BKP0.5A1

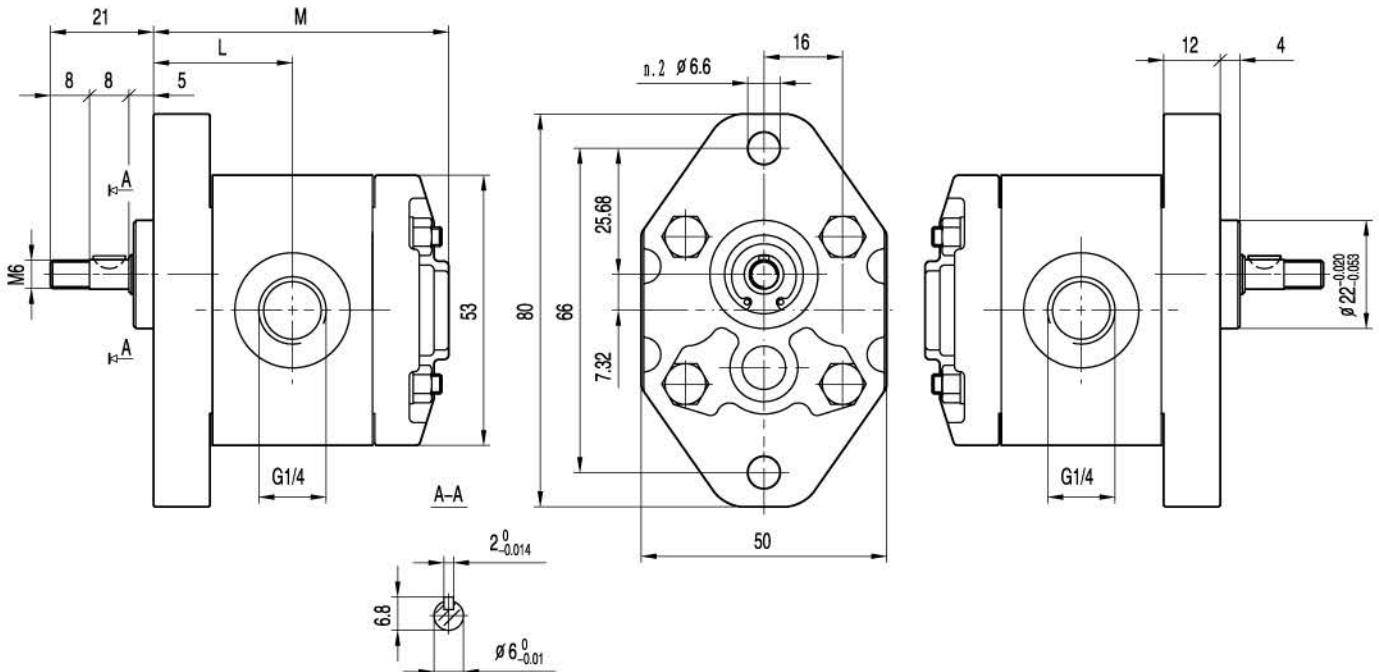


G1/4 螺纹深 9。  
安装泵时，n.4 M5 螺钉扭矩设定为  
 $5.4 \pm 0.5$  Nm。  
轴伸 M6 螺母扭矩设定为 7 Nm。

G1/4 thread depth 9.  
To mount the pump, n.4 M5 screws,  
with a torque wrench setting fixed  
at  $5.4 \pm 0.5$  Nm.  
Shaft M6 nut, with a torque wrench  
setting fixed at 7 Nm.

出油口  
OUTLET

进油口  
INLET



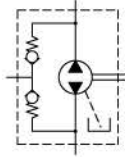
规格 Type	排量 Displacement (cm <sup>3</sup> /rev)	最大压力 Max pressure			最高转速 Max. speed (r/min)	最低转速 Min. speed (r/min)	尺寸 Dimensions	
		P1 bar	P2 bar	P3 bar			M mm	L mm
BKP0.5A1-D-0.19	0.19	200	230	250	7000	1000	60	27.2
BKP0.5A1-D-0.26	0.26	200	230	250	7000	1000	60.5	27.5
BKP0.5A1-D-0.38	0.38	200	230	250	7000	1000	61.5	28
BKP0.5A1-D-0.50	0.50	200	230	250	7000	1000	62.5	28.5
BKP0.5A1-D-0.65	0.65	200	230	250	7000	1000	63.5	29
BKP0.5A1-D-0.75	0.75	200	230	250	7000	1000	64.5	29.5
BKP0.5A1-D-0.88	0.88	200	230	250	7000	1000	65.5	30
BKP0.5A1-D-1.00	1.00	200	230	250	6000	850	66.5	30.5
BKP0.5A1-D-1.25	1.25	200	230	250	5000	700	68.5	31.5
BKP0.5A1-D-1.50	1.50	200	230	250	4000	600	70.5	32.5
BKP0.5A1-D-1.75	1.75	180	210	230	4000	600	72.5	33.5
BKP0.5A1-D-2.00	2.00	160	190	210	3000	500	74.5	34.5

# BKP0.5B2R-VQ1



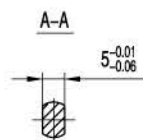
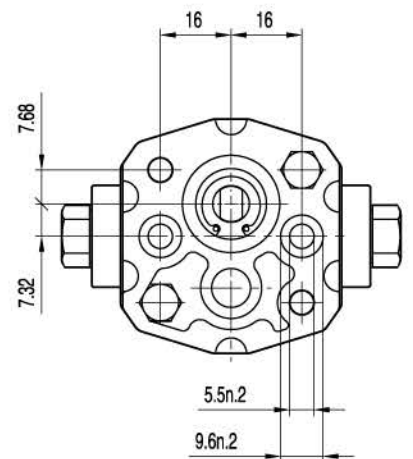
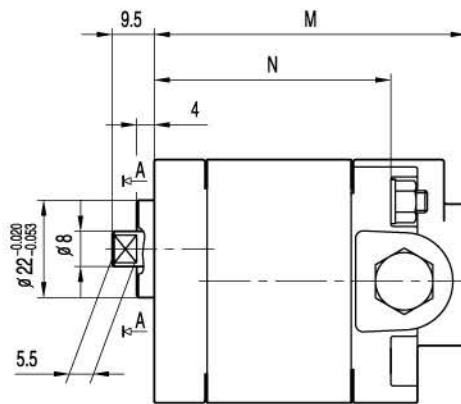
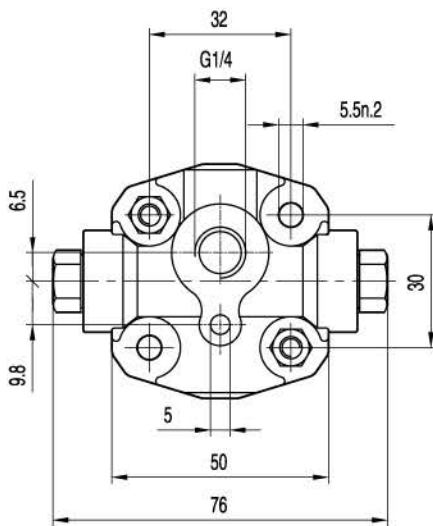
后盖: G1/4 螺纹深 12.  
 安装泵时, n.2 M5 螺钉扭矩设定为  
 $5.4 \pm 0.5$  Nm.

End cover: G1/4 thread depth 12.  
 To mount the pump, n.2 M5 screws,  
 with a torque wrench setting fixed  
 at  $5.4 \pm 0.5$  Nm.



进油口  
INLET

出油口  
OUTLET

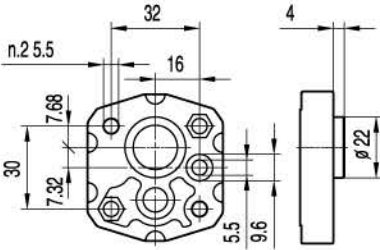


规格 Type	排量 Displacement ( $\text{cm}^3/\text{rev}$ )	最大压力 Max pressure			最高转速 Max. speed ( $\text{r}/\text{min}$ )	最低转速 Min. speed ( $\text{r}/\text{min}$ )	尺寸 Dimensions	
		P1 bar	P2 bar	P3 bar			M mm	N mm
BKP0.5B2-R-0.19-VQ1	0.19	150	170	190	7000	1000	68	51
BKP0.5B2-R-0.26-VQ1	0.26	150	170	190	7000	1000	68.5	51.5
BKP0.5B2-R-0.38-VQ1	0.38	150	170	190	7000	1000	69.5	52.5
BKP0.5B2-R-0.50-VQ1	0.50	150	170	190	7000	1000	70.5	53.5
BKP0.5B2-R-0.65-VQ1	0.65	150	170	190	7000	1000	71.5	54.5
BKP0.5B2-R-0.75-VQ1	0.75	150	170	190	7000	1000	72.5	55.5
BKP0.5B2-R-0.88-VQ1	0.88	150	170	190	7000	1000	73.5	56.5
BKP0.5B2-R-1.00-VQ1	1.00	150	170	190	6000	850	74.5	57.5
BKP0.5B2-R-1.25-VQ1	1.25	150	170	190	5000	700	76.5	59.5
BKP0.5B2-R-1.50-VQ1	1.50	150	170	190	4000	600	78.5	61.5
BKP0.5B2-R-1.75-VQ1	1.75	150	170	190	4000	600	80.5	63.5
BKP0.5B2-R-2.00-VQ1	2.00	150	170	190	3000	500	82.5	65.5

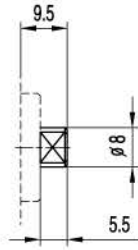
# BKP0.5

## 前盖/Front Cover

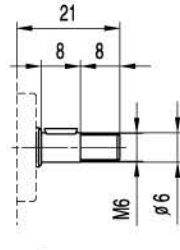
## 轴伸/SHAFTS



B0



G0



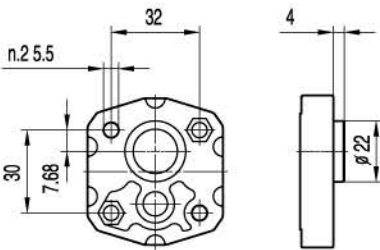
C0

最大扭矩  
Max.Torque

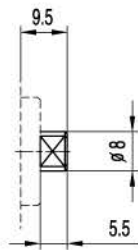
10 Nm

最大扭矩  
Max.Torque

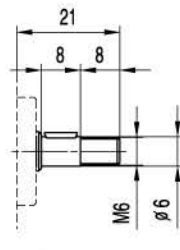
8 Nm



B1



G0



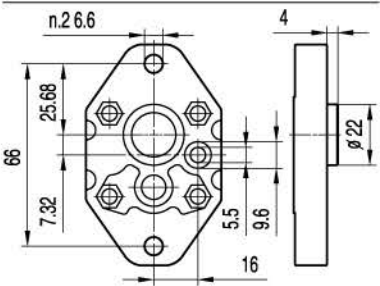
C0

最大扭矩  
Max.Torque

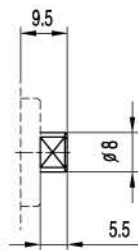
10 Nm

最大扭矩  
Max.Torque

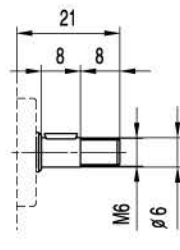
8 Nm



A0



G0



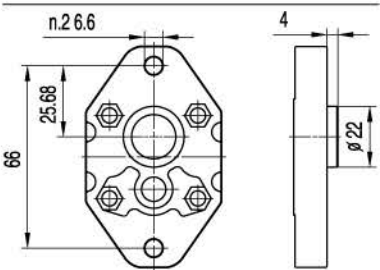
C0

最大扭矩  
Max.Torque

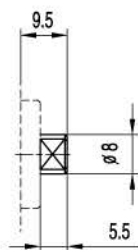
10 Nm

最大扭矩  
Max.Torque

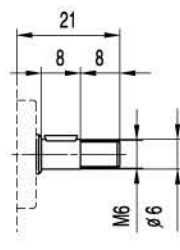
8 Nm



A1



G0



C0

最大扭矩  
Max.Torque

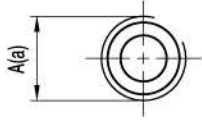
10 Nm

最大扭矩  
Max.Torque

8 Nm

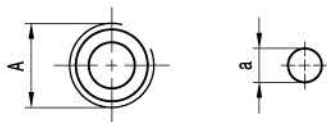
# BKP0.5

## 油口/PORTS



Z0

规格 TYPE	进油口 INLET	出油口 OUTLET
	A	a
BKP0.5...0.19 ÷ BKP0.5...2.00	M10x1	M10x1



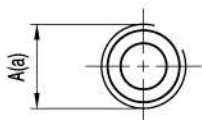
L0

规格 TYPE	进油口 INLET	出油口 OUTLET
	A	a
BKP0.5...0.19 ÷ BKP0.5...2.00	G1/4	ø 5.5



L1

规格 TYPE	进油口 INLET	出油口 OUTLET
	A	a
BKP0.5...0.19 ÷ BKP0.5...2.00	G3/8	ø 5.5



L2

规格 TYPE	进油口 INLET	出油口 OUTLET
	A	a
BKP0.5...0.19 ÷ BKP0.5...2.00	G1/4	G1/4