



BAP1 [BHM1]

如何订购/ HOW TO ORDER

BA	P	1	前盖 Front cover	旋向 Rotation	规格 Size	轴伸 Shaft	油口 Ports	油口位置 Ports position	油封 Seals	可选项 Options
系列号 Series	P- 齿轮泵 Pump M- 齿轮马达 Motor	组别 Group	B0 A0 Q0	D 顺时针转 Clockwise S 逆时针转 Counter clockwise R 可正反转 Reversible	1.4 2.1 2.8 3.5 4.1 5.2 6.2 7.6 9.3 11.0 13.8					可选项 / Options 排油管 / Drain Q0-内部排油 / internal drain Q1-外部排油 / external drain G1/4 Q2-外部排油 / external drain 7/16-20 UNF Q3-外部排油 / external drain 9/16-18 UNF
BA- 前、后盖材料为铝合金 BA-Front and end cover material aluminum										
BH- 前、后盖材料为铸铁,压力比"BA"系列高 30bar。 BH-Front and end cover material cast iron, pressure than "BA"series high 30 bar.										

油口位置

省略-侧进侧出
A-前进前出
B-后进前出
C-后进侧出
D-侧进前出
R-后进后出

Ports position

Omit-Side inlet and side outlet
A-Front inlet and front outlet
B-Back inlet and front outlet
C-Back inlet and side outlet
D-Side inlet and front outlet
R-Back inlet and back outlet

油封

省略-温度范围在-10℃~+80℃,进油口最高绝对压力为3bar。
V-适用于高温介质, 温度范围在-10℃~+120℃。
H-适用于低温介质, 温度范围在-40℃~+80℃。
H-适用于低温介质, 温度范围在-40℃~+80℃。
N-适用于进油口最大绝对压力3-10bar。

Seals

Omit-Range between -10℃ and +80℃,inlet pressure up to max. 3 bar absolute.
V-Version suitable for fluid at hi-temperatures, range between -10℃ and +120℃.
H-Version suitable for fluid at low-temperatures, range between -40℃ and +80℃.
T-Version suitable for inlet pressure up to max. 3 and 6 bar absolute.
N-Version suitable for inlet pressure up to max. 3 and 10 bar absolute.

范例/ Examples:

BAP1-B0-D-1.4-T0-E0 = 顺时针转, 排量 1.4 cc/rev, B0 前盖, T0 1:8锥形轴伸, E0 安装油口, 标准油封
clockwise rotation, 1.4 cc/rev, B0 front cover, T0 1:8 tapered shaft(T0), setting ports E0 type, standard seals
BAP1-A0-D-1.4-C0-R0 = 顺时针转, 排量 1.4 cc/rev, A0 前盖, C0 圆柱轴伸, R0 安装油口, 标准油封
clockwise rotation, 1.4 cc/rev, A0 front cover, C0 parallel shaft, setting ports R0 type, standard seals
BAP1-Q0-D-1.4-C2-U0-N= 顺时针转, 排量 1.4 cc/rev, B0 前盖, C2 圆柱轴伸, U0 安装油口,高压油封(N)
clockwise rotation, 1.4 cc/rev, Q0 front cover, C2 parallel shaft, setting ports U0 type, high pressure seals(N)

BAP1B0

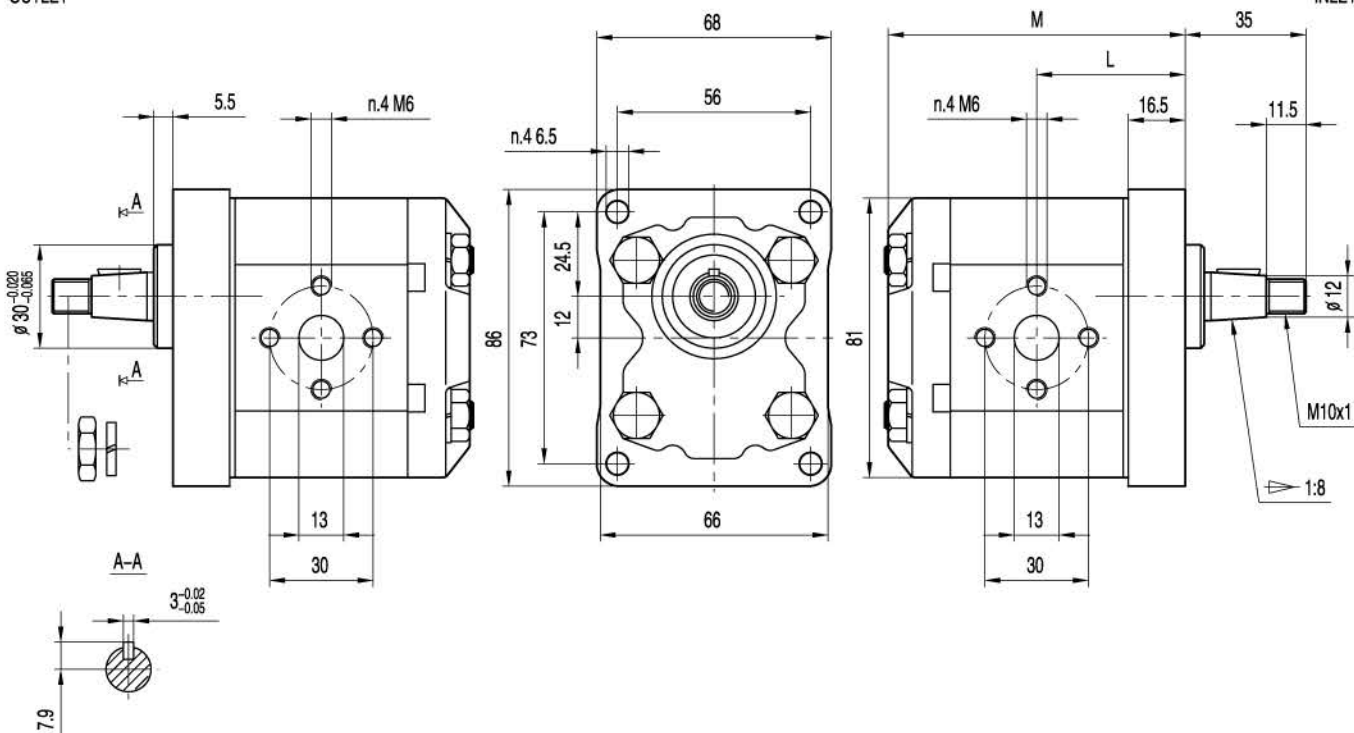


M6 螺纹深 13.
 安装泵时, n.4 M8 螺钉扭矩设定为
 27 ± 3 Nm.
 轴伸 M10 螺母扭矩设定为 40 Nm.

M6 thread depth 13.
 To mount the pump, n.4 M8 screws,
 with a torque wrench setting fixed
 at 27 ± 3 Nm.
 Shaft M10 nut, with a torque wrench
 setting fixed at 40 Nm.

出油口
 OUTLET

进油口
 INLET



规格 Type	排量 Displacement (cm ³ /rev)	最大压力 Max pressure			最高转速 Max. speed (r/min)	最低转速 Min. speed (r/min)	尺寸 Dimensions	
		P1 bar	P2 bar	P3 bar			M mm	L mm
BAP1B0-D-1.4	1.4	250	270	290	6000	800	80.5	40
BAP1B0-D-2.1	2.1	250	270	290	6000	800	82.5	41
BAP1B0-D-2.8	2.8	250	270	290	5000	800	84.5	42
BAP1B0-D-3.5	3.5	250	270	290	5000	800	86.5	43
BAP1B0-D-4.1	4.1	250	270	290	4000	800	88.5	44
BAP1B0-D-5.2	5.2	230	245	260	4000	800	91.5	45.5
BAP1B0-D-6.2	6.2	230	245	260	3800	800	94.5	47
BAP1B0-D-7.6	7.6	200	215	230	3200	600	98.5	49
BAP1B0-D-9.3	9.3	180	195	210	2600	600	103.5	51.5
BAP1B0-D-11.0	11.0	170	185	200	2200	600	108.5	54
BAP1B0-D-13.8	13.8	150	165	180	1800	600	116.5	58

BAP1Q0

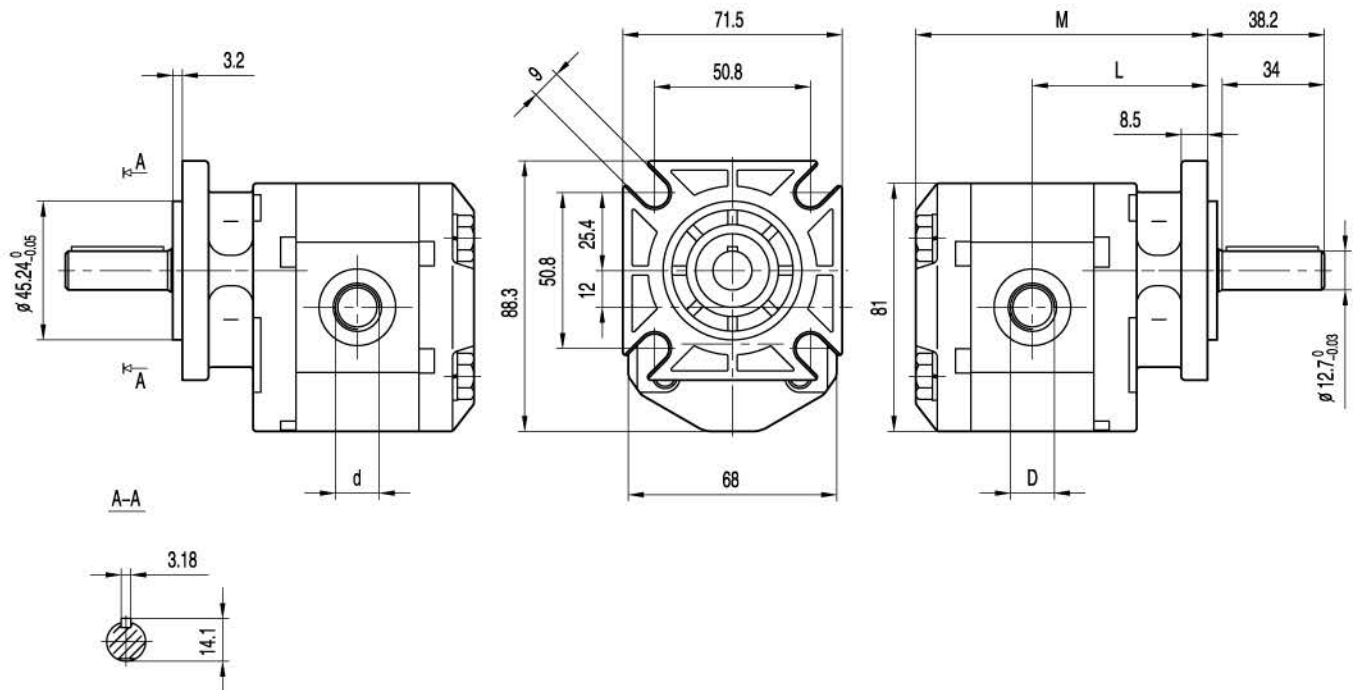


"D"和"d"油口有螺纹加工，用O形圈密封，旁侧削平的SAE J1926/1 (ISO J1926-1)。
安装泵时，n.4 M8 螺钉扭矩设定为 27 ± 3 Nm.

"D" and "d" ports are machined in compliance with threaded port with O-ring seal in truncated housing SAE J1926/1 (ISO J1926-1).
To mount the pump, n.4 M8 screws, with a torque wrench setting fixed at 27 ± 3 Nm.

出油口
OUTLET

进油口
INLET



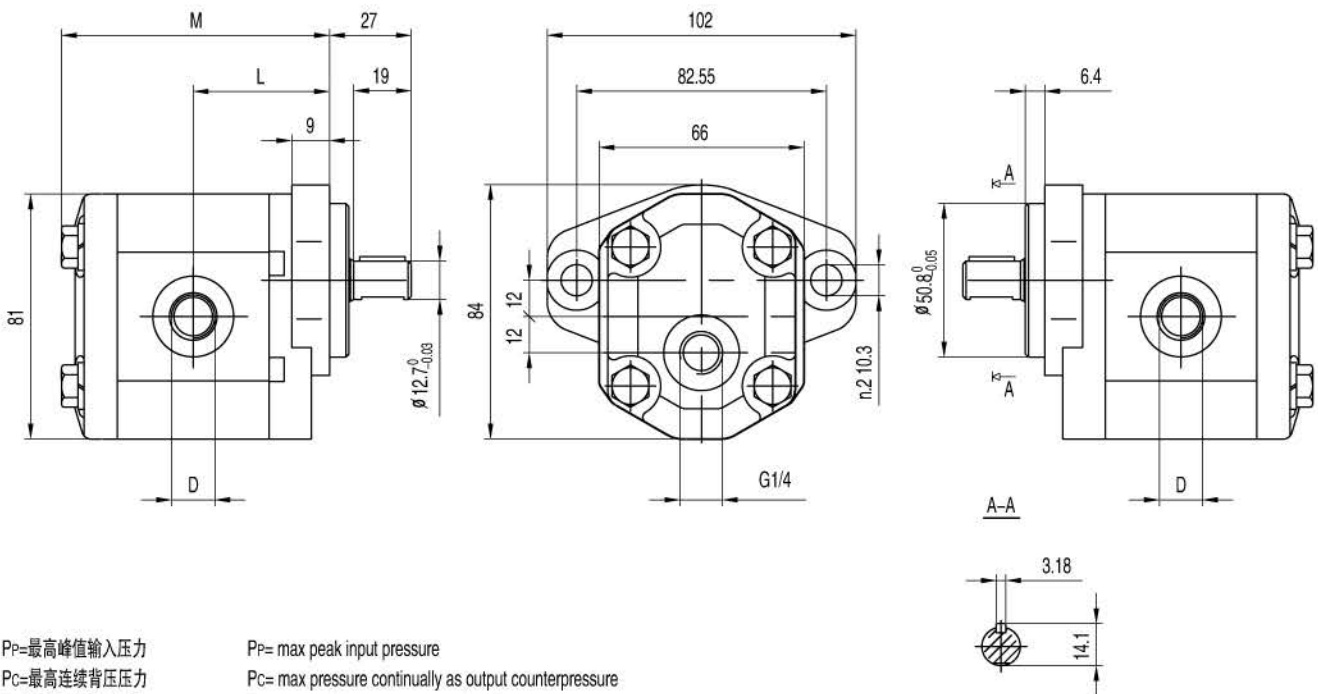
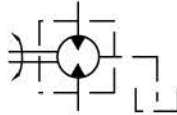
规格 Type	排量 Displacement (cm^3/rev)	最大压力 Max pressure			最高转速 Max. speed (r/min)	最低转速 Min. speed (r/min)	尺寸 Dimensions			
		P1 bar	P2 bar	P3 bar			M mm	L mm	D	d
BAP1Q0-D-1.4	1.4	250	270	290	6000	800	98	59	3/4-16UNF	9/16-18UNF
BAP1Q0-D-2.1	2.1	250	270	290	6000	800	100	60	3/4-16UNF	9/16-18UNF
BAP1Q0-D-2.8	2.8	250	270	290	5000	800	102	61	3/4-16UNF	9/16-18UNF
BAP1Q0-D-3.5	3.5	250	270	290	5000	800	104	62	3/4-16UNF	9/16-18UNF
BAP1Q0-D-4.1	4.1	250	270	290	4000	800	106	63	3/4-16UNF	9/16-18UNF
BAP1Q0-D-5.2	5.2	230	245	260	4000	800	109	64.5	3/4-16UNF	9/16-18UNF
BAP1Q0-D-6.2	6.2	230	245	260	3500	800	112	66	3/4-16UNF	9/16-18UNF
BAP1Q0-D-7.6	7.6	200	215	230	3000	600	116	68	7/8-14UNF	3/4-16UNF
BAP1Q0-D-9.3	9.3	180	195	210	2500	600	121	70.5	7/8-14UNF	3/4-16UNF
BAP1Q0-D-11.0	11.0	170	185	200	2500	600	126	73	7/8-14UNF	3/4-16UNF
BAP1Q0-D-13.8	13.8	150	165	180	2000	600	134	77	7/8-14UNF	3/4-16UNF

BHM1A0



"D"和"d"油口有螺纹加工, 用O形圈密封, 旁侧削平的SAE J1926/1 (ISO J1926-1)。
安装泵时, n.4 M8螺钉扭矩设定为 $30 \pm 3\text{Nm}$ 。

"D" and "d" ports are machined in compliance with threaded port with O-ring seal in truncated housing SAE J1926/1 (ISO J1926-1).
To mount the pump, n.4 M8 screws, with a torque wrench setting fixed at $30 \pm 3\text{Nm}$.



PP=最高峰值输入压力
PC=最高连续背压压力
PI=最高连续输入压力

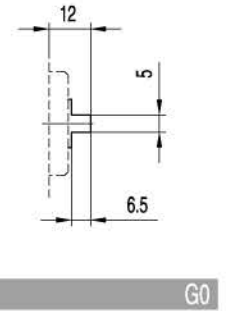
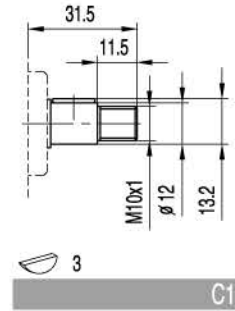
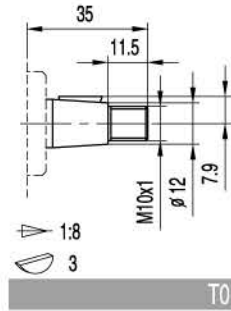
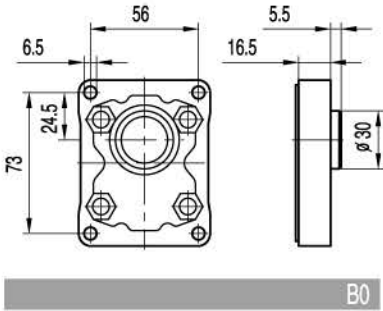
PP= max peak input pressure
PC= max pressure continually as output counterpressure
PI= max peak input pressure continually

规格 Type	排量 Displacement	最大压力 Max pressure			最高转速 Max. speed	最低转速 Min. speed	尺寸 Dimensions		
		PI	PC	PP			M	L	D
	(cm^3/rev)	bar	bar	bar	(r/min)	(r/min)	mm	mm	
BHM1A0-R-1.4-Q1	1.4	270	260	290	5000	800	82.5	42	3/4-16UNF
BHM1A0-R-2.1-Q1	2.1	270	260	290	5000	800	84.5	43	3/4-16UNF
BHM1A0-R-2.8-Q1	2.8	270	260	290	5000	800	86.5	44	3/4-16UNF
BHM1A0-R-3.5-Q1	3.5	270	260	290	5000	800	88.5	45	3/4-16UNF
BHM1A0-R-4.1-Q1	4.1	270	260	290	4000	800	90.5	46	3/4-16UNF
BHM1A0-R-5.2-Q1	5.2	260	250	275	3500	800	93.5	47.5	3/4-16UNF
BHM1A0-R-6.2-Q1	6.2	260	250	275	3000	800	96.5	49	3/4-16UNF
BHM1A0-R-7.6-Q1	7.6	230	220	245	3000	600	100.5	51	7/8-14UNF
BHM1A0-R-9.3-Q1	9.3	210	200	225	3000	600	105.5	53.5	7/8-14UNF
BHM1A0-R-11.0-Q1	11.0	200	190	215	2500	600	110.5	56	7/8-14UNF
BHM1A0-R-13.8-Q1	13.8	180	170	195	2200	600	118.5	60	7/8-14UNF

BAP1

前盖/Front Cover

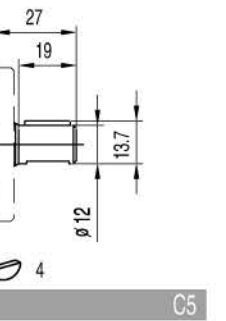
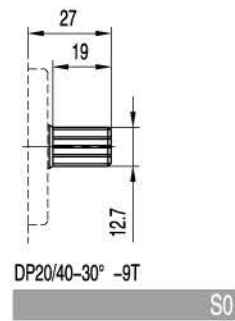
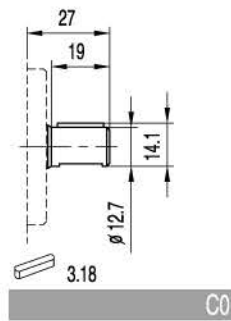
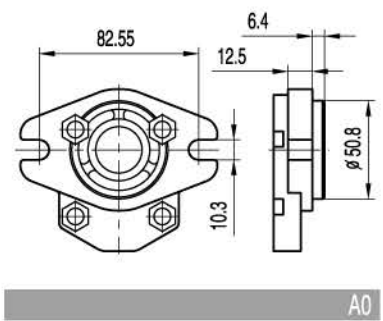
轴伸/Shafts



最大扭矩
Max.Torque 100 Nm

最大扭矩
Max.Torque 55 Nm

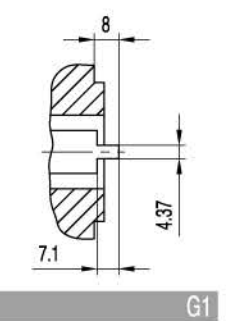
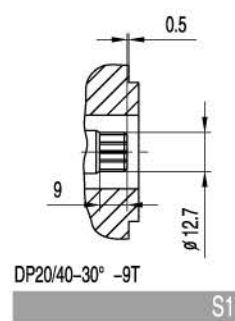
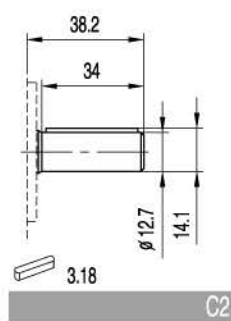
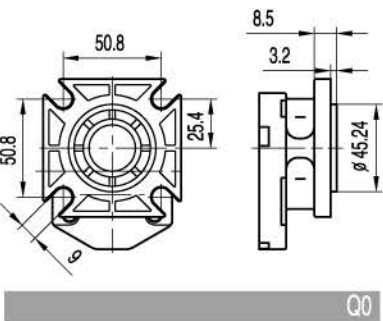
最大扭矩
Max.Torque 45 Nm



最大扭矩
Max.Torque 60 Nm

最大扭矩
Max.Torque 100 Nm

最大扭矩
Max.Torque 70 Nm



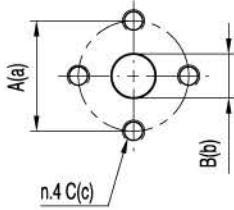
最大扭矩
Max.Torque 100 Nm

最大扭矩
Max.Torque 95 Nm

最大扭矩
Max.Torque 45 Nm

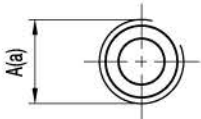
BAP1 [BHP1]

油口/PORTS



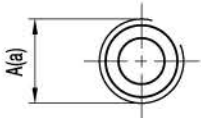
E0

规格 TYPE	进油口 INLET			出油口 OUTLET		
	A	B	C	a	b	c
BAP1...1.4 ÷ BAP1...13.8	30	13	M6	30	13	M6



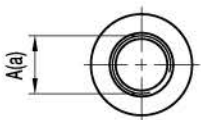
L0/L1/L2/L3

规格 TYPE	油口代号 PORTS CODE	进油口 INLET	出油口 OUTLET
		A	a
BAP1...1.4 ÷ BAP1...3.5	L0	G1/2	G3/8
BAP1...4.1 ÷ BAP1...13.8	L1	G1/2	G1/2
BAP1...1.4 ÷ BAP1...3.5	L2	G3/8	G3/8
BAP1...4.1 ÷ BAP1...13.8	L3	G3/4	G1/2



R0/R1/R2/R3

规格 TYPE	油口代号 PORTS CODE	进油口 INLET	出油口 OUTLET
		A	a
BAP1...1.4 ÷ BAP1...6.2	R0	PT1/2	PT3/8
BAP1...7.6 ÷ BAP1...13.8	R1	PT3/4	PT1/2
BAP1...1.4 ÷ BAP1...13.8	R2	PT1/2	PT1/2
BAP1...1.4 ÷ BAP1...6.2	R3	PT3/8	PT3/8



U0/U1/U2/U3

规格 TYPE	油口代号 PORTS CODE	进油口 INLET	出油口 OUTLET
		A	a
BAP1...1.4 ÷ BAP1...6.2	U0	3/4-16UNF	9/16-18UNF
BAP1...7.6 ÷ BAP1...13.8	U1	7/8-14UNF	3/4-16UNF
BAP1...1.4 ÷ BAP1...6.2	U0	3/4-16UNF	3/4-16UNF
BAP1...7.6 ÷ BAP1...13.8	U1	7/8-14UNF	7/8-14UNF