



PIONEER FLUID POWER

HIGH PRESSURE GEAR PUMP

BAP2.5[BHP2.5]

如何订购/ HOW TO ORDER

BA	P	2.5	前盖 Front cover	旋向 Rotation	规格 Size	轴伸 Shaft	油口 Ports	油口位置 Ports position	油封 Seals	可选项 Options
系列号 Series	P- 齿轮泵 Pump	组别 Group	A0	D 顺时针 Clockwise	10					
BA-前、后盖材料为铝合金 BA-Front and end cover material aluminum			A1	S 逆时针 Counter clockwise	12.5					
BH-前、后盖材料为铸铁,压力比"BA"系列高 30bar。 BH-Front and end cover material cast iron, pressure than "BA"series high 30 bar.				R 可正反转 Reversible	14					
					16					
					18					
					19					
					20					
					23					
					25					
					26.5					
					28					
					30					
					32					
					36					
					40					
					45					

油口位置

省略-侧进侧出
A-前进前出
B-后进前出
C-后进侧出
D-侧进前出
R-后进后出

Ports position

Omit-Side inlet and side outlet
A-Front inlet and front outlet
B-Back inlet and front outlet
C-Back inlet and side outlet
D-Side inlet and front outlet
R-Back inlet and back outlet

油封

省略-温度范围在-10℃~+80℃,进油口最高绝对压力为3bar。
V-适用于高温介质, 温度范围在-10℃~+120℃。
H-适用于低温介质, 温度范围在-40℃~+80℃。
T-适用于进油口最大绝对压力3-6bar。
N-适用于进油口最大绝对压力3-10bar。

Seals

Omit-Range between -10℃ and +80℃,inlet pressure up to max. 3 bar absolute.
V-Version suitable for fluid at hi-temperatures, range between -10℃ and +120℃.
H-Version suitable for fluid at low-temperatures, range between -40℃ and +80℃.
T-Version suitable for inlet pressure up to max. 3 and 6 bar absolute.
N-Version suitable for inlet pressure up to max. 3 and 10 bar absolute.

范例/ Examples:

BAP2.5-A0-D-10-C0-Z0 = 顺时针转, 排量 10 cc/rev, A0 前盖, C0 圆柱轴伸, Z0 安装油口, 标准油封
clockwise rotation, 10 cc/rev, A0 front cover, C0 parallel shaft, setting ports Z0 type, standard seals

BHP2.5-A1-D-10-C1-F0 = 顺时针转, 排量 10 cc/rev, A1 前盖, C1 圆柱轴伸, F0 安装油口, 标准油封
clockwise rotation, 10 cc/rev, A1 front cover, C1 parallel shaft, setting ports F0 type, standard seals

BHP2.5-A2-D-10-S3-U0-N= 顺时针转, 排量 10 cc/rev, A2 前盖, S3 SAE B 13齿轴伸, U0 安装油口,高压油封(N)
clockwise rotation, 10 cc/rev, A2 front cover, SAE B splined 13T shaft(S3), setting ports U0 type, high pressure seals(N)

BAP2.5A0

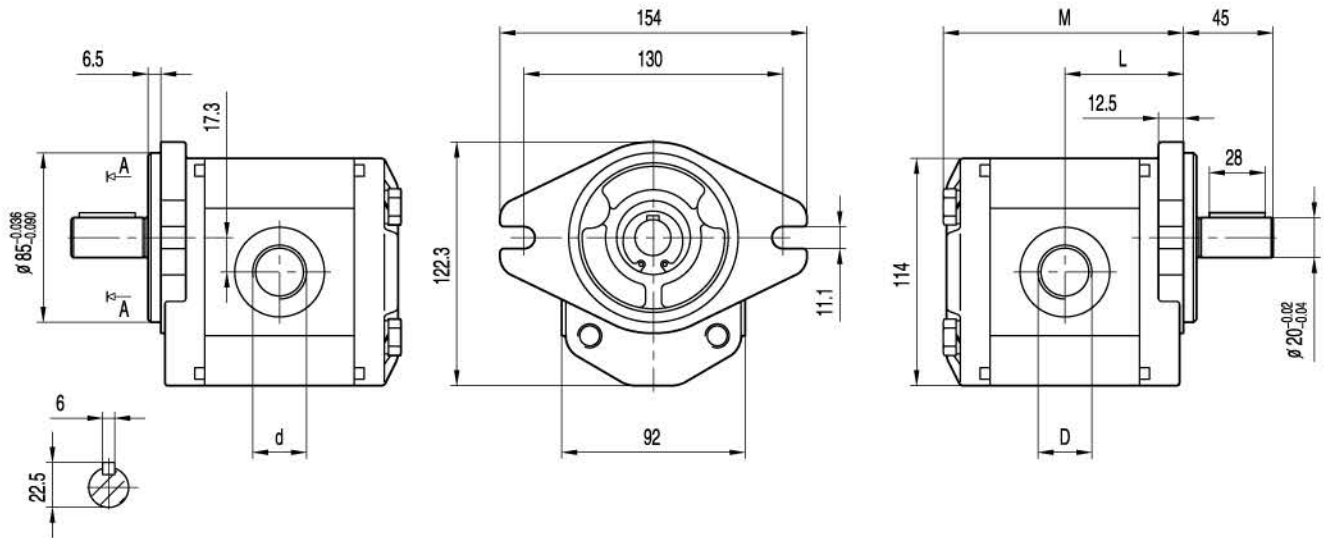


M18x1.5 螺纹深 15,
M22x1.5 螺纹深 16,
M27x2 螺纹深 19,
M33x2 螺纹深 20,
安装泵时, n.4 M12 螺钉扭矩设定为
75...80 Nm.

M18x1.5 thread depth 15,
M22x1.5 thread depth 16,
M27x2 thread depth 19,
M33x2 thread depth 20,
To mount the pump, n.4 M12 screws,
with a torque wrench setting fixed
at 75...80 Nm.

出油口
OUTLET

进油口
INLET



规格 Type	排量 Displacement	最大压力 Max pressure			最高转速 Max. speed	最低转速 Min. speed	尺寸 Dimensions			
		P1	P2	P3			M	L	D	d
	(cm ³ /rev)	bar	bar	bar	(r/min)	(r/min)	mm	mm		
BAP2.5A0-D-10	10	250	270	290	4000	800	110	53.3	M22x1.5	M18x1.5
BAP2.5A0-D-12.5	12.5	250	270	290	4000	800	113	54.8	M22x1.5	M18x1.5
BAP2.5A0-D-14	14	250	270	290	4000	700	115	55.8	M22x1.5	M18x1.5
BAP2.5A0-D-16	16	250	270	290	3500	700	118	57.1	M27x2	M22x1.5
BAP2.5A0-D-18	18	250	270	290	3500	600	120	58.3	M27x2	M22x1.5
BAP2.5A0-D-19	19	250	270	290	3500	600	121	58.8	M27x2	M22x1.5
BAP2.5A0-D-20	20	250	270	290	3000	500	123	59.6	M27x2	M22x1.5
BAP2.5A0-D-23	23	230	250	260	3500	500	126	61.3	M33x2	M27x2
BAP2.5A0-D-25	25	230	250	260	3500	500	129	62.6	M33x2	M27x2
BAP2.5A0-D-26.5	26.5	230	250	260	3500	500	131	63.6	M33x2	M27x2
BAP2.5A0-D-28	28	230	250	260	3500	500	133	64.6	M33x2	M27x2
BAP2.5A0-D-30	30	230	250	260	3000	400	135	65.6	M33x2	M27x2
BAP2.5A0-D-32	32	200	230	250	3000	400	138	67.1	M33x2	M27x2
BAP2.5A0-D-36	36	200	230	250	2750	400	142	69.1	M33x2	M27x2
BAP2.5A0-D-40	40	160	180	200	2500	400	148	71.6	M33x2	M27x2
BAP2.5A0-D-45	45	160	180	200	2500	400	153	74.6	M33x2	M27x2

BAP2.5A1[BHP2.5A1]



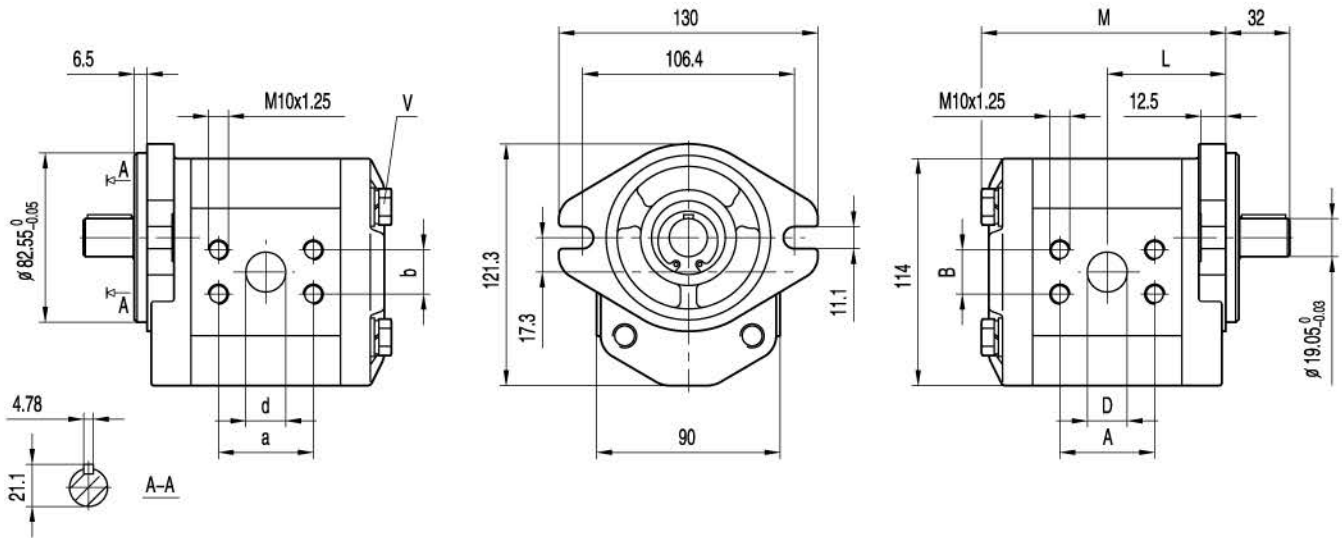
M10x1.25 螺纹深 15.

M10x1.25 thread depth 15.

安装法兰材料	V
Mounting flange material	Screws tightening torque Nm
Aluminum	75...80
Cast iron	130...135

出油口
OUTLET

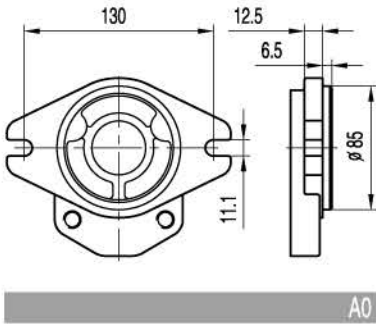
进油口
INLET



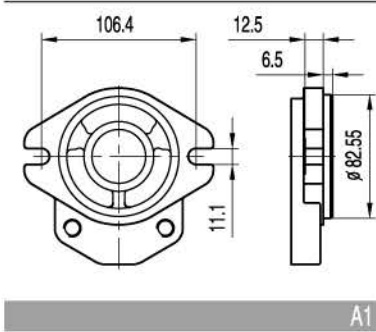
规格 Type	排量 Displacement (cm ³ /rev)	最大压力 Max pressure			最高转速 Max. speed (r/min)	最低转速 Min. speed (r/min)	尺寸 Dimensions							
		P1 bar	P2 bar	P3 bar			M mm	L mm	A mm	B mm	D mm	a mm	b mm	d mm
BAP2.5A1-D-10	10	250	270	290	4000	800	110	53.3	47.6	22.2	20	47.6	22.2	13
BAP2.5A1-D-12.5	12.5	250	270	290	4000	800	113	54.8	47.6	22.2	20	47.6	22.2	13
BAP2.5A1-D-14	14	250	270	290	4000	700	115	55.8	47.6	22.2	20	47.6	22.2	13
BAP2.5A1-D-16	16	250	270	290	3500	700	118	57.1	47.6	22.2	20	47.6	22.2	13
BAP2.5A1-D-18	18	250	270	290	3500	600	120	58.3	52.4	26.2	25	47.6	22.2	20
BAP2.5A1-D-19	19	250	270	290	3500	600	121	58.8	52.4	26.2	25	47.6	22.2	20
BAP2.5A1-D-20	20	250	270	290	3000	500	123	59.6	52.4	26.2	25	47.6	22.2	20
BAP2.5A1-D-23	23	230	250	260	3500	500	126	61.3	52.4	26.2	25	47.6	22.2	20
BAP2.5A1-D-25	25	230	250	260	3500	500	129	62.6	52.4	26.2	25	47.6	22.2	20
BAP2.5A1-D-26.5	26.5	230	250	260	3500	500	131	63.6	52.4	26.2	25	47.6	22.2	20
BAP2.5A1-D-28	28	230	250	260	3500	500	133	64.6	52.4	26.2	25	47.6	22.2	20
BAP2.5A1-D-30	30	230	250	260	3000	400	135	65.6	52.4	26.2	25	47.6	22.2	20
BAP2.5A1-D-32	32	200	230	250	3000	400	138	67.1	52.4	26.2	25	47.6	22.2	20
BAP2.5A1-D-36	36	200	230	250	2750	400	142	69.1	52.4	26.2	25	47.6	22.2	20
BAP2.5A1-D-40	40	160	180	200	2500	400	148	71.6	52.4	26.2	25	47.6	22.2	20
BAP2.5A1-D-45	45	160	180	200	2500	400	153	74.6	52.4	26.2	25	47.6	22.2	20

BAP2.5[BHP2.5]

前盖/Front COVER

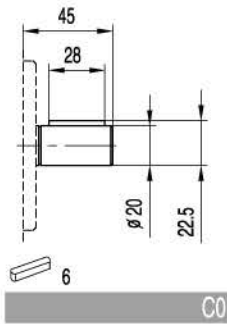


A0



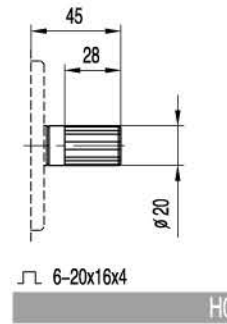
A1

轴伸/SHAFTS



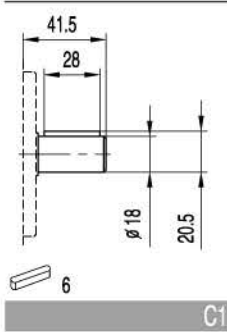
C0

最大扭矩
Max.Torque 200 Nm



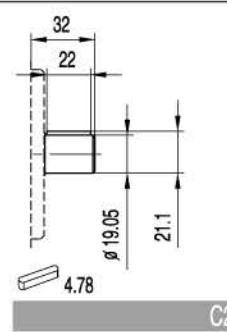
H0

最大扭矩
Max.Torque 240 Nm



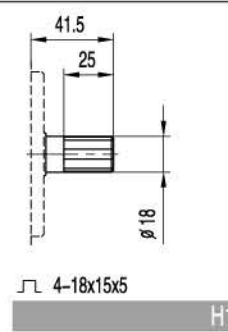
C1

最大扭矩
Max.Torque 180 Nm



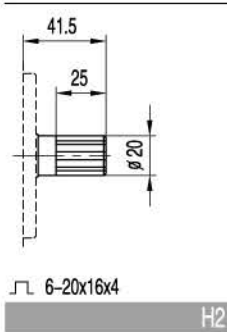
C2

最大扭矩
Max.Torque 190 Nm



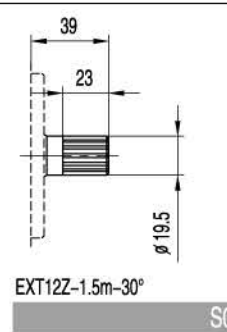
H1

最大扭矩
Max.Torque 200 Nm



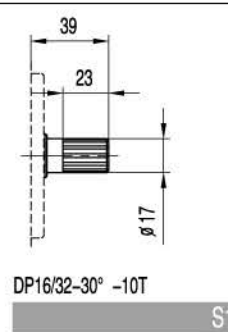
H2

最大扭矩
Max.Torque 240 Nm



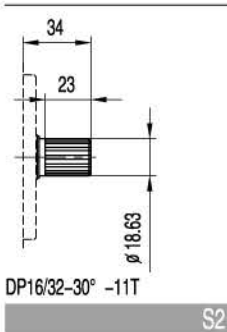
S0

最大扭矩
Max.Torque 220 Nm



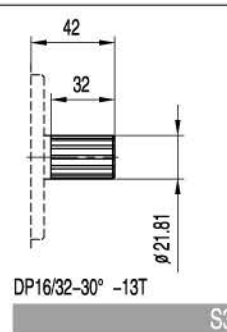
S1

最大扭矩
Max.Torque 200 Nm



S2

最大扭矩
Max.Torque 210 Nm

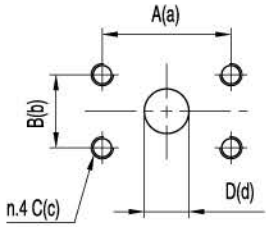


S3

最大扭矩
Max.Torque 300 Nm

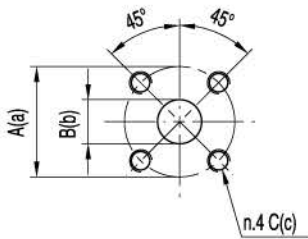
BAP2.5[BHP2.5]

油口/PORTS



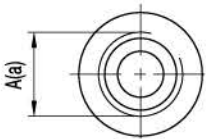
F0/F1

规格 TYPE	油口代号 PORTS CODE	进油口 INLET				出油口 OUTLET			
		A	B	C	D	a	b	c	d
BA(H)P2.5...10 ÷ BA(H)P2.5...16	F0	47.6	22.2	M10x1.25	20	47.6	22.2	M10x1.25	13
BA(H)P2.5...18 ÷ BA(H)P2.5...45	F1	52.4	26.2	M10x1.25	25	47.6	22.2	M10x1.25	20



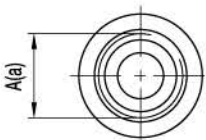
F2

规格 TYPE	进油口 INLET			出油口 OUTLET		
	A	B	C	a	b	c
BA(H)P2.5...10 ÷ BA(H)P2.5...16	55	20	M8	55	13	M8
BA(H)P2.5...18 ÷ BA(H)P2.5...45	55	25	M8	55	20	M8



Z0/Z1/Z2

规格 TYPE	油口代号 PORTS CODE	进油口 INLET	出油口 OUTLET
		A	a
BA(H)P2.5...10 ÷ BA(H)P2.5...14	Z0	M22x1.5	M18x1.5
BA(H)P2.5...16 ÷ BA(H)P2.5...20	Z1	M27x2	M22x1.5
BA(H)P2.5...23 ÷ BA(H)P2.5...45	Z2	M33x2	M27x2

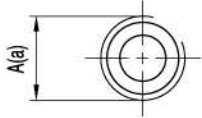


U0/U1

规格 TYPE	油口代号 PORTS CODE	进油口 INLET	出油口 OUTLET
		A	a
BA(H)P2.5...10 ÷ BA(H)P2.5...23	U0	1 1/16-12 UNF	7/8-14 UNF
BA(H)P2.5...25 ÷ BA(H)P2.5...45	U1	1 5/16-12 UNF	1 1/16-12 UNF

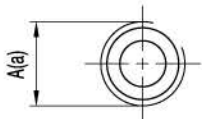
BAP2.5[BHP2.5]

油口/PORTS



L0/L1

规格 TYPE	油口代号 PORTS CODE	进油口 INLET	出油口 OUTLET
		A	a
BA(H)P2.5...10 ÷ BA(H)P2.5...23	L0	G3/4	G1/2
BA(H)P2.5...25 ÷ BA(H)P2.5...45	L1	G 1	G3/4



R0/R1

规格 TYPE	油口代号 PORTS CODE	进油口 INLET	出油口 OUTLET
		A	a
BA(H)P2.5...10 ÷ BA(H)P2.5...23	R0	PT3/4	PT1/2
BA(H)P2.5...25 ÷ BA(H)P2.5...45	R1	PT 1	PT3/4