

# BDP2.5

## 如何订购/ HOW TO ORDER

BD	P	2.5	前盖 Front cover	旋向 Rotation	规格 Size	轴伸 Shaft	油口 Ports	油口位置 Ports position	油封 Seals	可选项 Options
系列号 Series	P- 齿轮泵 Pump	组别 Group	A0	D 顺时针转 Clockwise S 逆时针转 Counter clockwise R 可正反转 Reversible	23 25 26.5 28 30 32 36 40					

### 油口位置

省略-侧进侧出  
A-前进前出  
B-后进前出  
C-后进侧出  
D-侧进前出  
R-后进后出

### Ports position

Omit-Side inlet and side outlet  
A-Front inlet and front outlet  
B-Back inlet and front outlet  
C-Back inlet and side outlet  
D-Side inlet and front outlet  
R-Back inlet and back outlet

### 油封

省略-温度范围在-10℃~+80℃,进油口最高绝对压力为3bar。  
V-适用于高温介质,温度范围在-10℃~+120℃。  
H-适用于低温介质,温度范围在-40℃~+80℃。  
T-适用于进油口最大绝对压力3~6bar。  
N-适用于进油口最大绝对压力3~10bar。

### Seals

Omit-Range between -10°C and +80°C,inlet pressure up to max. 3 bar absolute.  
V-Version suitable for fluid at hi-temperatures, range between -10°C and +120°C.  
H-Version suitable for fluid at low-temperatures, range between -40°C and +80°C.  
T-Version suitable for inlet pressure up to max. 3 and 6 bar absolute.  
N-Version suitable for inlet pressure up to max. 3 and 10 bar absolute.

### 范例/ Examples:

BDP2.5-A0-D-23-C0-Z0-R = 顺时针转, 排量 23 cc/rev, A0 前盖, C0 圆柱轴伸, Z0 安装油口, 油口位置 R, 标准油封  
clockwise rotation, 23 cc/rev, A0 front cover, C0 parallel shaft, setting ports Z0 type, Ports position (R),standard seals

BDP2.5-A0-D-23-H1-L0-R = 顺时针转, 排量 23 cc/rev, A0 前盖, H1 矩形花键轴伸, L0 安装油口, 油口位置 R, 标准油封  
clockwise rotation, 23 cc/rev, A0 front cover, H1 rectangle splined shaft, setting ports L0 type, Ports position (R),standard seals

BDP2.5-A0-D-23-S3-F0-N = 顺时针转, 排量 23 cc/rev, A0 前盖, S3 SAE B 13齿轴伸, F0 安装油口, 高压油封(N)  
clockwise rotation, 23 cc/rev, A0 front cover, SAE B splined 13T shaft(S3), setting ports F0 type, high pressure seals(N)

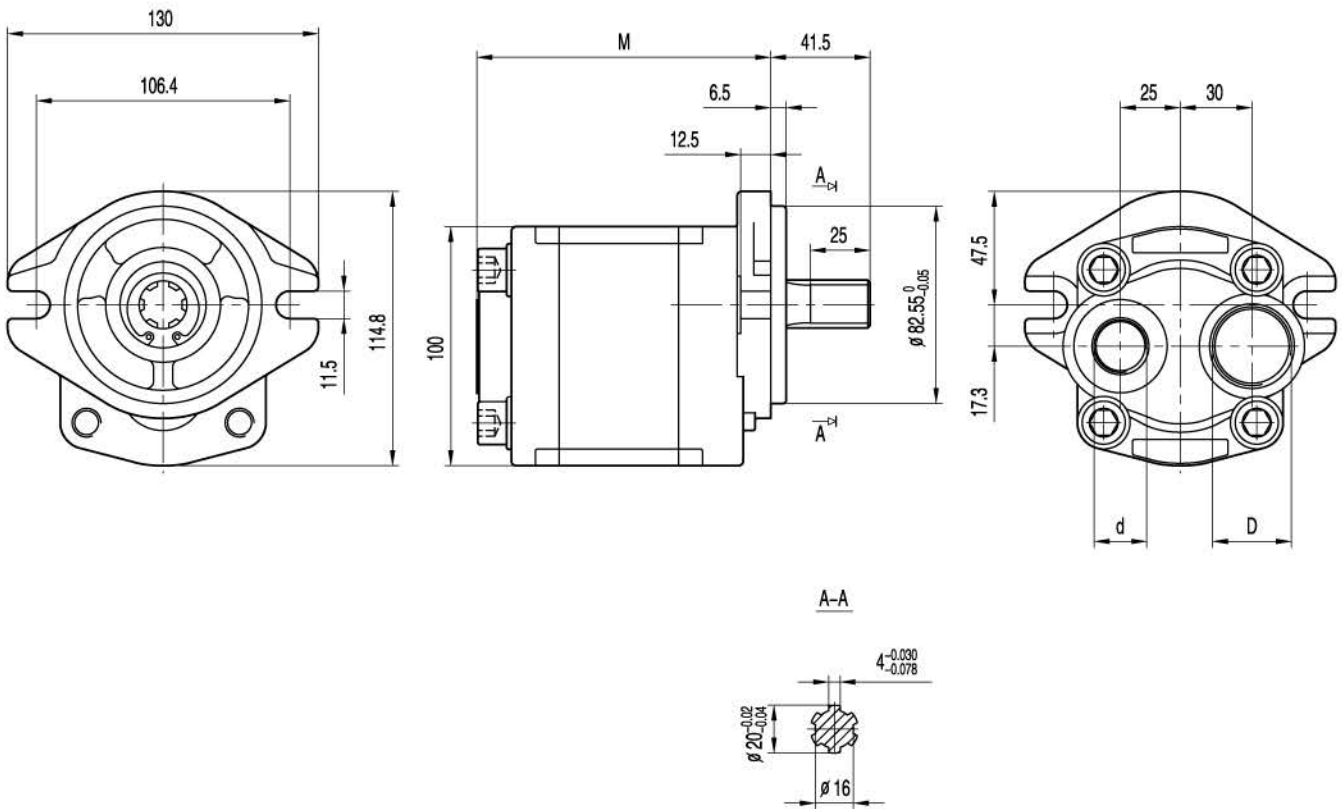
# BDP2.5A0-R



G 1 螺纹深 21,  
G 1/2 螺纹深 16,  
安装泵时, n.4 M12 螺钉扭矩设定为  
75...80 Nm.

G 1 thread depth 21,  
G 1/2 thread depth 16,  
To mount the pump, n.4 M12 screws,  
with a torque wrench setting fixed  
at 75...80 Nm.

出油口      进油口  
OUTLET      INLET



规格 Type	排量 Displacement (cm <sup>3</sup> /rev)	最大压力 Max pressure			最高转速 Max. speed (r/min)	最低转速 Min. speed (r/min)	尺寸 Dimensions		
		P1 bar	P2 bar	P3 bar			M mm	D	d
BDP2.5A0-D-23-R	23	230	250	260	3500	600	118	G 1	G 1/2
BDP2.5A0-D-25-R	25	230	250	260	3500	600	120	G 1	G 1/2
BDP2.5A0-D-26.5-R	26.5	230	250	260	3500	600	122	G 1	G 1/2
BDP2.5A0-D-28-R	28	230	250	260	3500	600	124	G 1	G 1/2
BDP2.5A0-D-30-R	30	230	250	260	3000	600	126	G 1	G 1/2
BDP2.5A0-D-32-R	32	200	230	250	3000	600	129	G 1	G 1/2
BDP2.5A0-D-36-R	36	200	230	250	2750	500	133	G 1	G 1/2
BDP2.5A0-D-40-R	40	160	180	200	2500	500	138	G 1	G 1/2

# BDP2.5A0

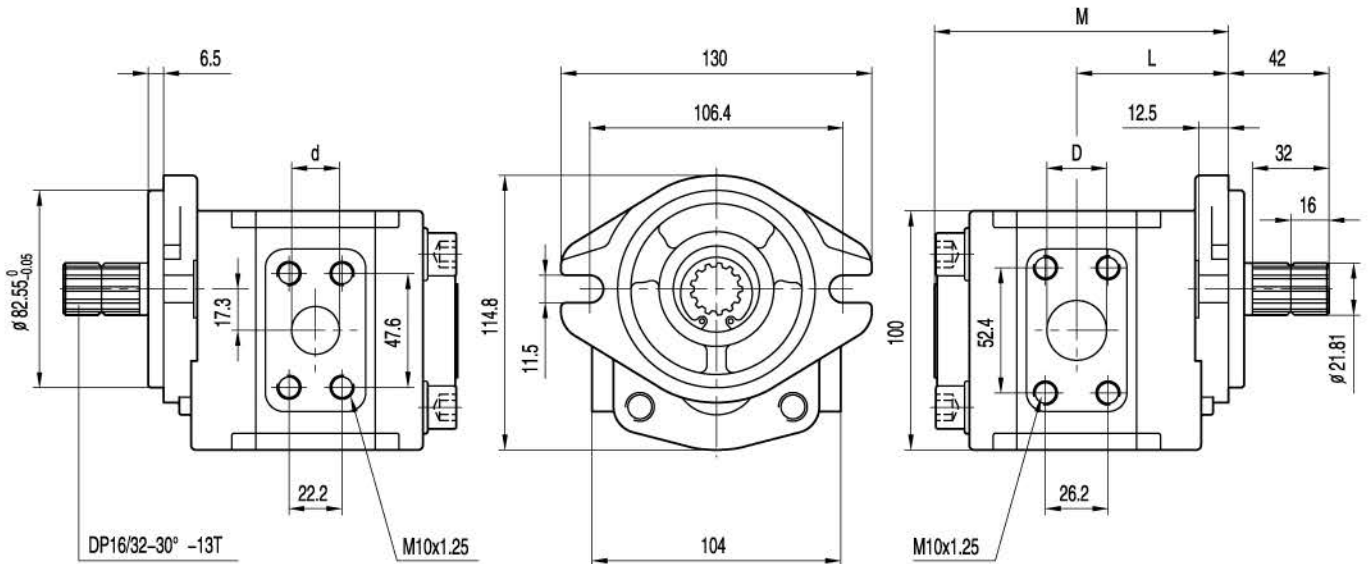


M10x1.25 螺纹深 15,  
安装泵时, n.4 M12 螺钉扭矩设定为  
75...80 Nm.

M10x1.25 thread depth 15,  
To mount the pump, n.4 M12 screws,  
with a torque wrench setting fixed  
at 75...80 Nm.

出油口  
OUTLET

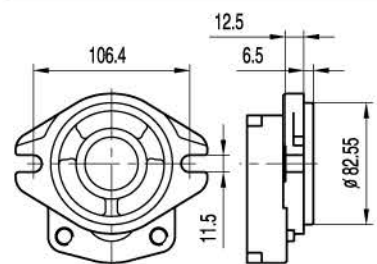
进油口  
INLET



规格 Type	排量 Displacement (cm <sup>3</sup> /rev)	最大压力 Max pressure			最高转速 Max. speed (r/min)	最低转速 Min. speed (r/min)	尺寸 Dimensions			
		P1 bar	P2 bar	P3 bar			M mm	L mm	D mm	d mm
BDP2.5A0-D-23	23	230	250	260	3500	600	118	60.5	25	20
BDP2.5A0-D-25	25	230	250	260	3500	600	120	61.8	25	20
BDP2.5A0-D-26.5	26.5	230	250	260	3500	600	122	62.8	25	20
BDP2.5A0-D-28	28	230	250	260	3500	600	124	63.8	25	20
BDP2.5A0-D-30	30	230	250	260	3000	600	126	64.8	25	20
BDP2.5A0-D-32	32	200	230	250	3000	600	129	66.3	25	20
BDP2.5A0-D-36	36	200	230	250	2750	500	133	68.3	25	20
BDP2.5A0-D-40	40	160	180	200	2500	500	138	70.8	28	20

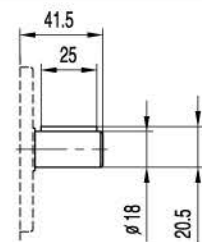
# BDP2.5

## 前盖/Front Cover



A0

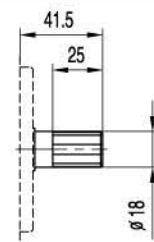
## 轴伸/Shafts



6

C0

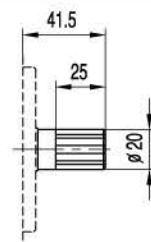
最大扭矩  
Max.Torque 180 Nm



4-18x15x5

H0

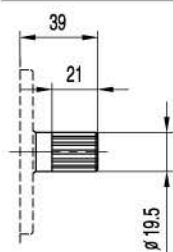
最大扭矩  
Max.Torque 200 Nm



6-20x16x4

H1

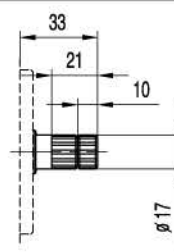
最大扭矩  
Max.Torque 240 Nm



EXT12Z-1.5m-30°

S0

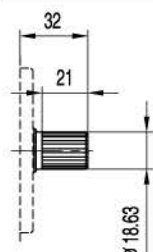
最大扭矩  
Max.Torque 220 Nm



DP16/32-30° -10T

S1

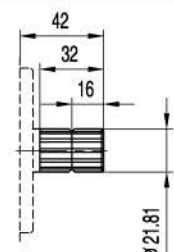
最大扭矩  
Max.Torque 200 Nm



DP16/32-30° -11T

S2

最大扭矩  
Max.Torque 210 Nm



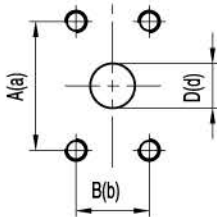
DP16/32-30° -13T

S3

最大扭矩  
Max.Torque 300 Nm

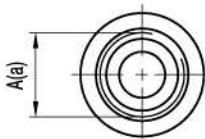
# BDP2.5

## 油口/PORTS



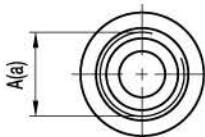
F0

规格 TYPE	进油口 INLET				出油口 OUTLET			
	A	B	C	D	a	b	c	d
BDP2.5...23 ÷ BDP2.5...36	52.4	26.2	M10x1.25	25	47.6	22.2	M10x1.25	20
BDP2.5...40	52.4	26.2	M10x1.25	28	47.6	22.2	M10x1.25	20



L0

规格 TYPE	进油口 INLET	出油口 OUTLET
	A	a
BDP2.5...23 ÷ BDP2.5...40	G 1	G 1/2



Z0

规格 TYPE	进油口 INLET	出油口 OUTLET
	A	a
BDP2.5...23 ÷ BDP2.5...40	M33x2	M22x1.5