

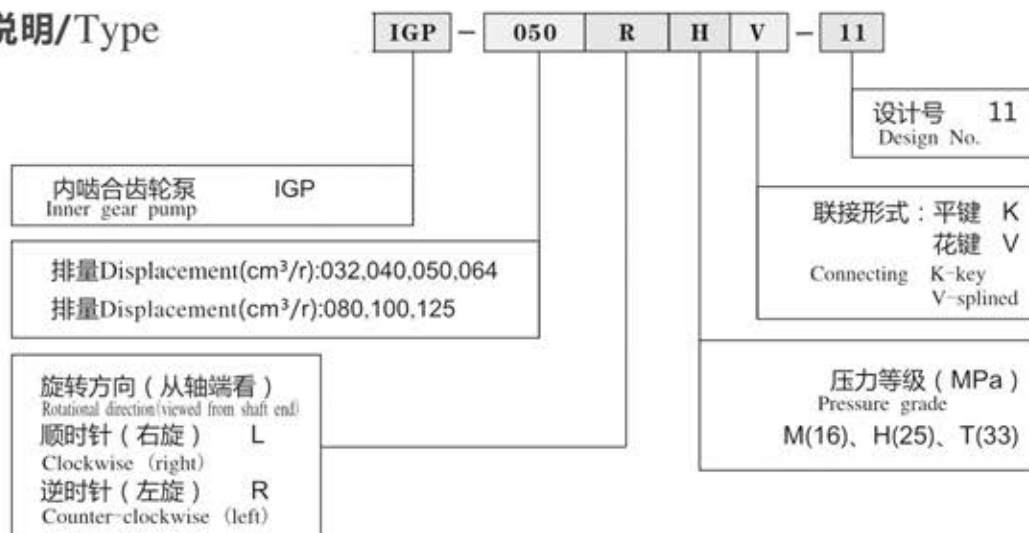
# IGP内啮合齿轮泵系列/ IGP Internal gear pump



## 产品特点 Characteristic:

- ◆ 内啮合齿轮泵带轴向和径向间隙补偿，  
With axial and radial backlash compensation  
以新月型片式组件作径向补偿  
Make crescent chip-element as radial compensation
- ◆ 径向布置的吸油口和压力出油口  
Radial arrangement inlet port and pressure outlet port
- ◆ 高压 (连续工作压力可达33MPa)  
High pressure (continuous working pressure can be 33Mpa)
- ◆ 高效率、低噪声、长使用寿命  
High-efficiency, low-noise, long service life
- ◆ 低脉冲 (压力脉冲约2%)  
Low impulse (pressure impulse is about 2%)
- ◆ 可带双泵组合  
With double-pump combination

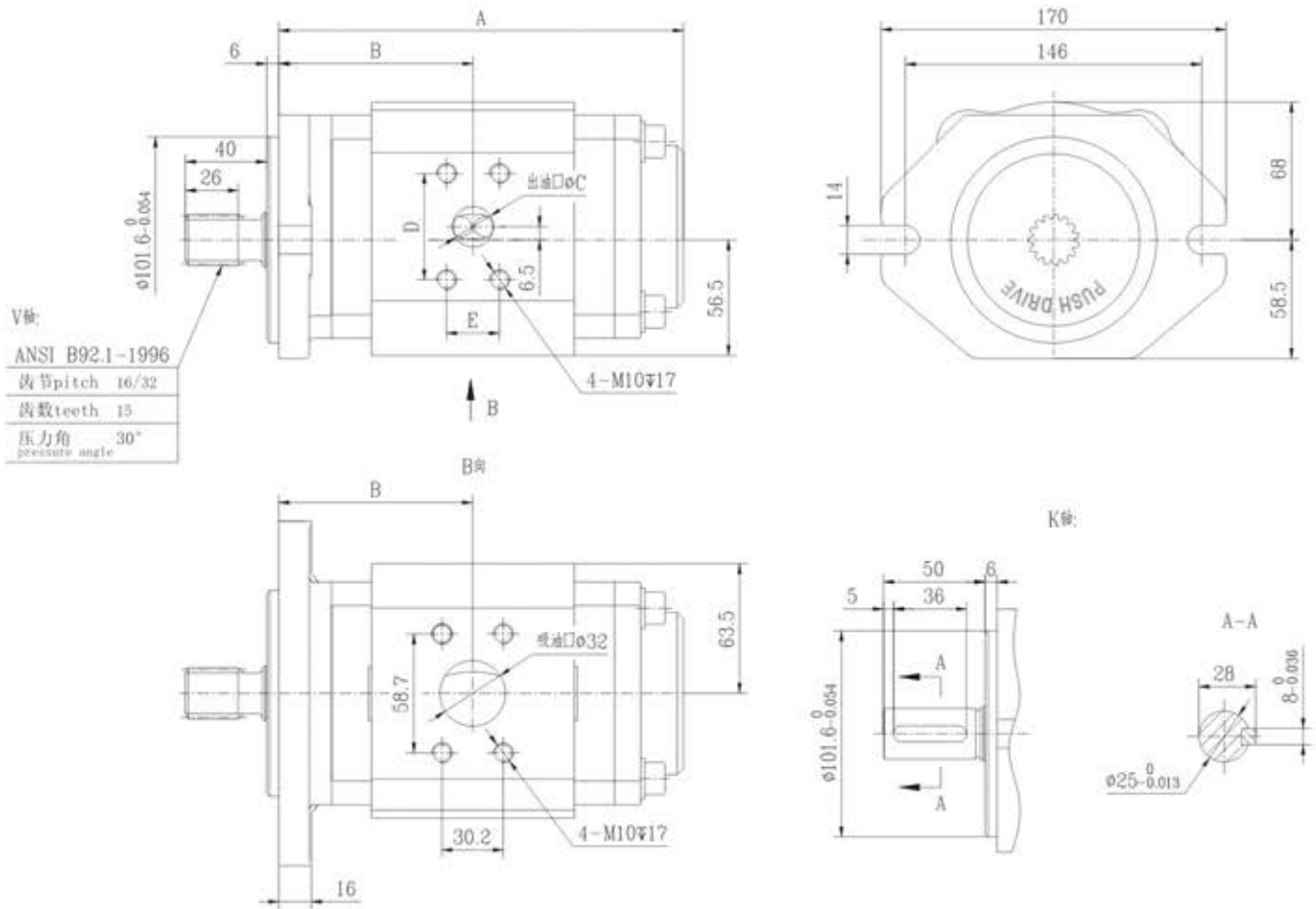
## 型号说明/Type



## 内啮合齿轮泵系列技术指标 Technical data

型号 Size	032	040	050	064	080	100	125
排量 (ml/rev) Displacement	32.1	40.1	50.2	63.8	80	101.2	125.7
旋向 Rotational direction	右旋 (从尾端看) Right rotation (viewed from shaft end)						
额定压力 (MPa) Rated pressure	25				30	28	
尖峰压力 (MPa) Peak pressure	30		28		33	30	
转速 (r/min) Speed	400 ~ 2500	400 ~ 2400	400 ~ 1800		400 ~ 2000		
保压转速 (at 14MPa)(r/min) Pressurize speed	≤ 80				≤ 70		
容积效率 (%) Volumetric efficiency	94	95				94	
流体介质 Fluid media	VG46 ~ VG68 耐磨性液压油 (ISO) 或 HLP 矿物油 (DIN51524) VG46-VG68 Wearing resistance oil (ISO) or mineral oil (DIN51524)						
粘度范围 (mm <sup>2</sup> /s(cSt)) Vcosity range	10 ~ 300						
最低液体清洁度 Minimum cleanness of fluid	9 级 (NAS1 1638) 或 17/14 (ISO 4066)						
温度范围 (°C) Temperature range	-4 ~ 100						
吸油口压力 (MPa) Inlet pressure	0.2 ~ 0.08						
噪声 (dB) Noise level	64	65	66	74	75	76	
重量 (kg) Weight	9.2	9.8	10.5	24.5	31	36	41.5

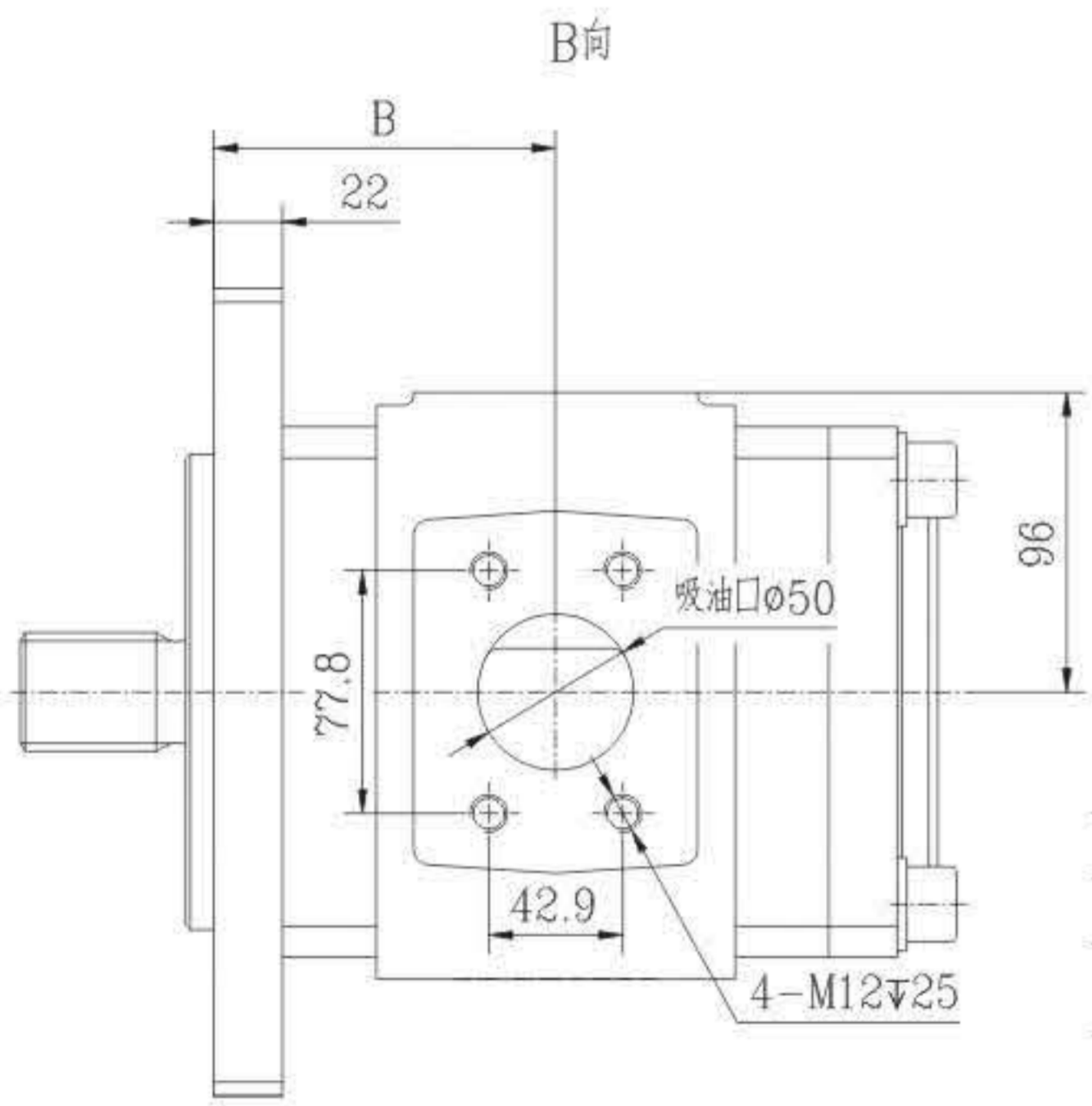
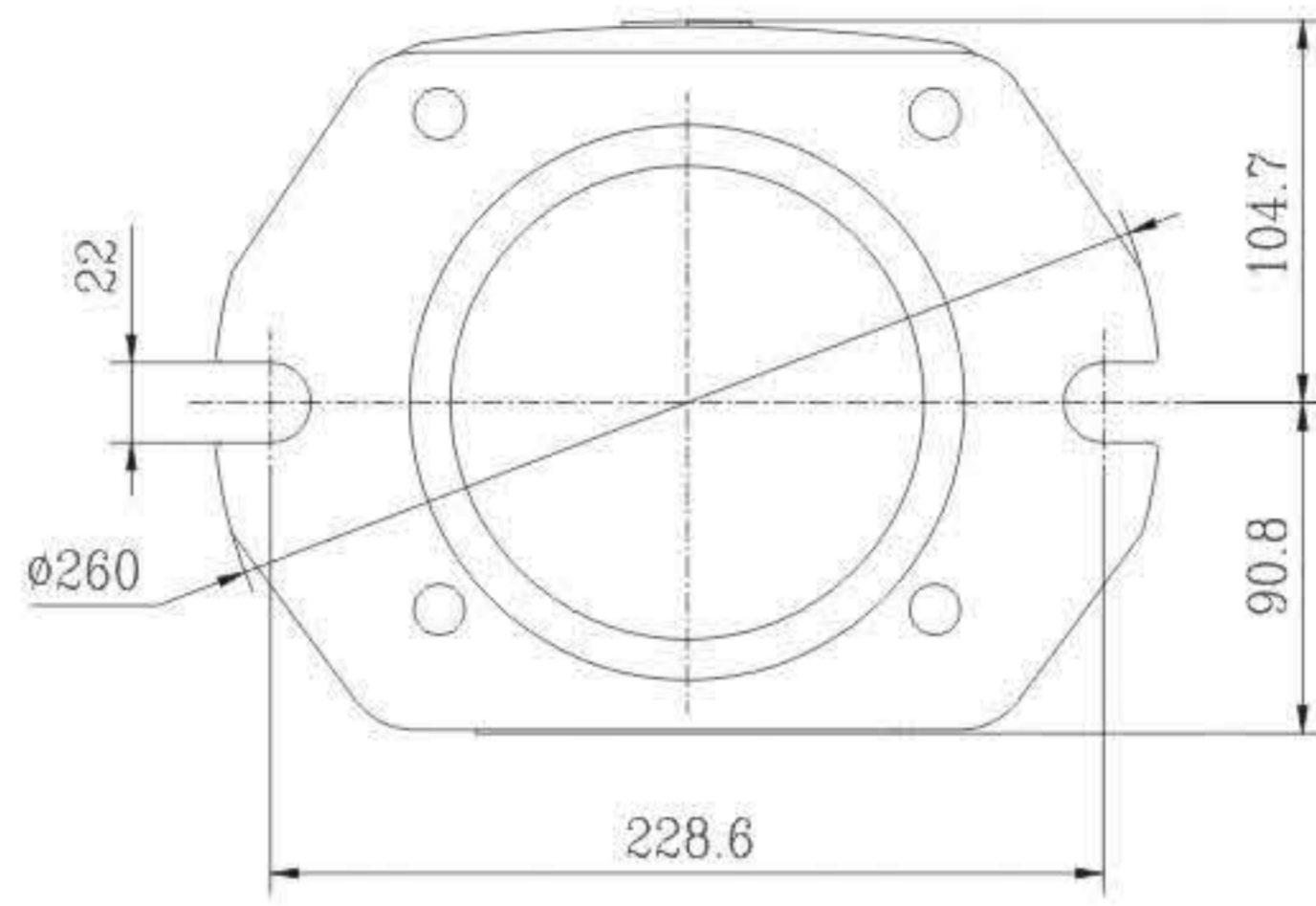
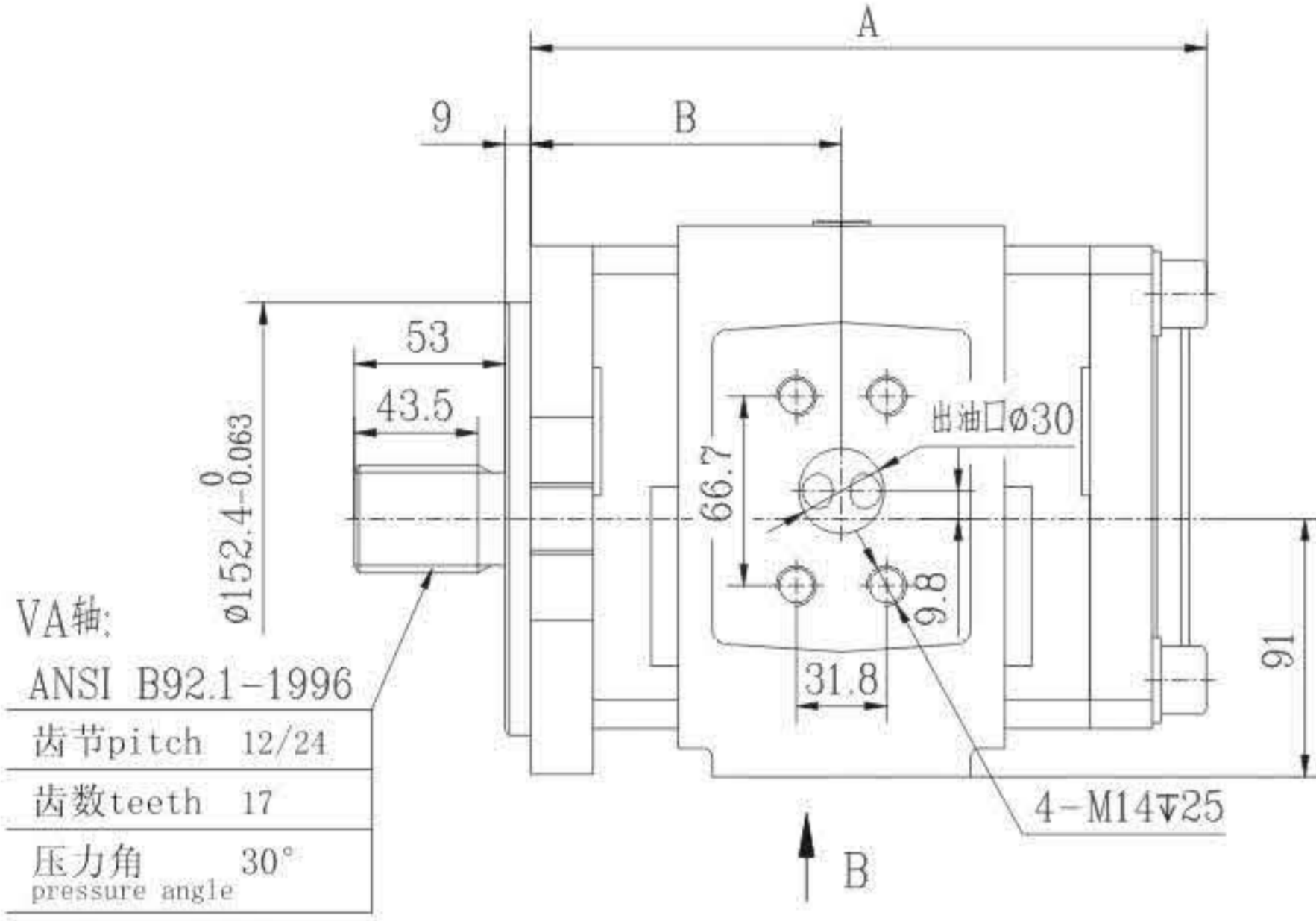
IGP内啮合齿轮泵系列 IGP Internal gear pump  
规格32, 40, 50 Size 32,40,50



规格	A	B	C	D	E
32	174.4	83.5	18	47.6	22.2
40	185.4	88.7	20	52.4	26.2
50	199.4	95.7	20	52.4	26.2

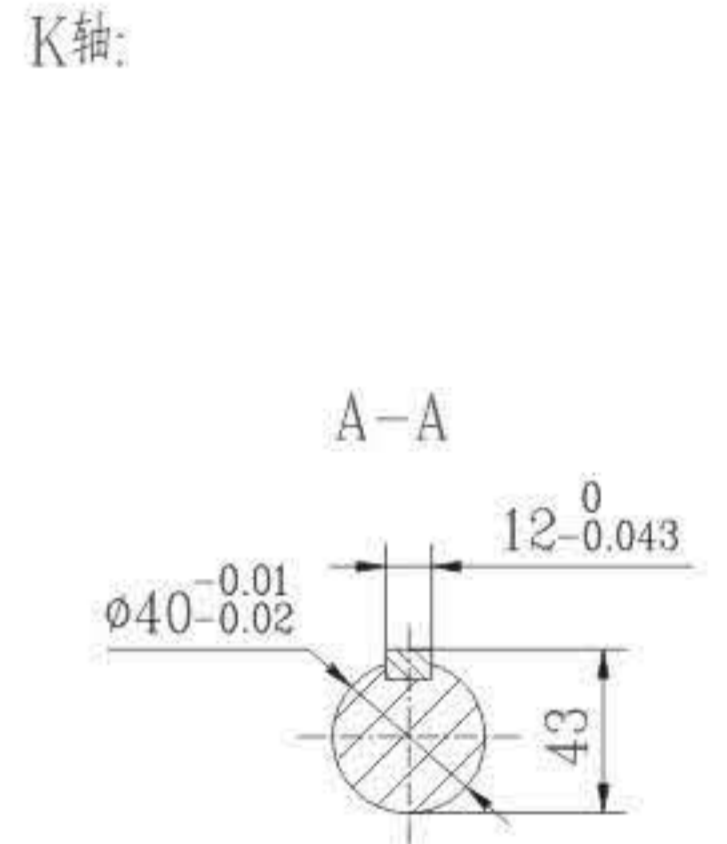
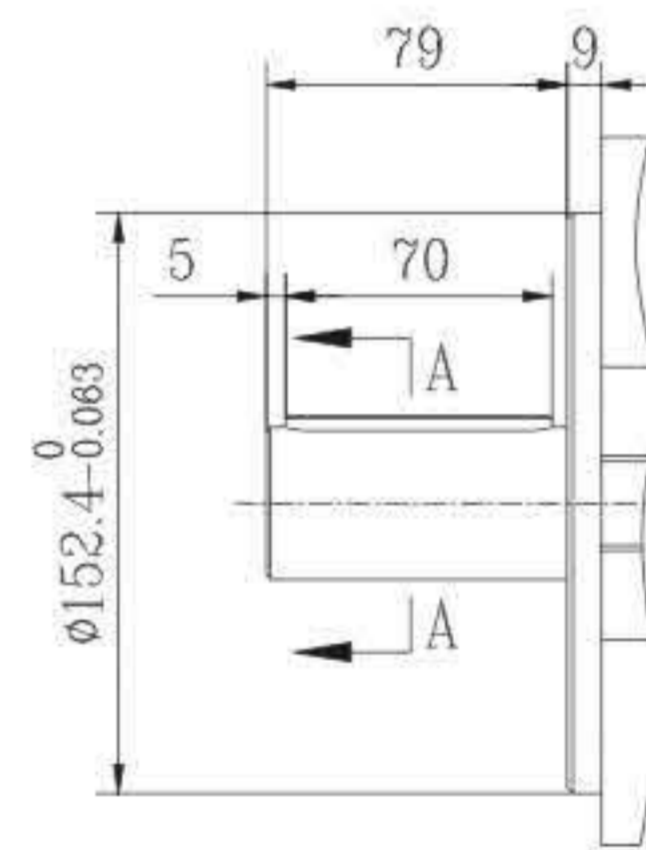


IGP内啮合齿轮泵系列 IGP Internal gear pump  
规格80,100,125 Size 80,100,125



旧JIS D 2001

模数module	2.5
齿数teeth	17
压力角 pressure angle	30°
变位系数 Modification coefficient	+0.8
参考直径 Reference diameter	$\phi 40$



规格	A	B
80	210	95.5
100	223	102
125	238	109.5