

# DSG06低噪音齿轮油泵

## DSG06 series gear oil pumps with lower noise



PIONEER FLUID POWER



DSG06系列低噪音齿轮油泵，在设计上采用了非对称齿形的双模数齿轮、双联泵结构及轴向间隙自动补偿的浮动侧板结构，使该产品具有噪音低、体积小、容积效率高、使用寿命长、可靠性高等特点，进而提高整机的性能指标。该泵适用于电动搬运设备及对噪音有较高要求的场合。

DSG06 series gear oil pumps, which adopt the technologies of double modulus gear with asymmetric tooth, double-pump structure and floating side plate with automatic compensation of axial clearance, will help improve the performance of the whole equipment with features of lower noise, smart, high volumetric efficiency, long lifetime, high reliability, etc. The pumps are applied in electric hoisting and conveying machinery where low noise is required.

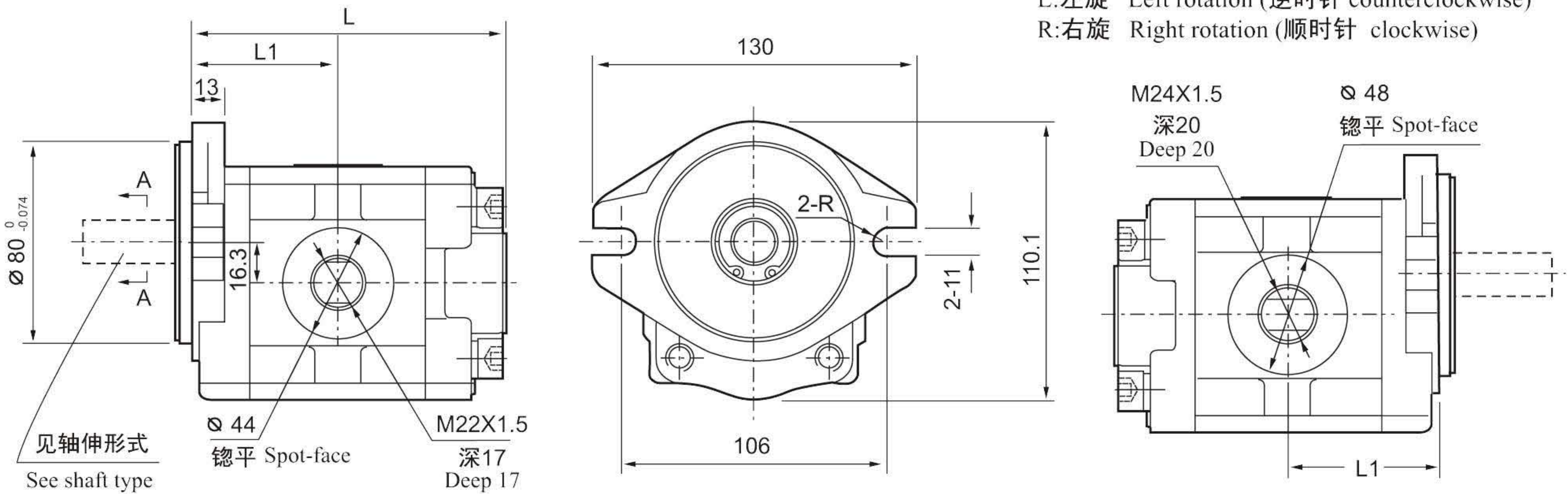
### 型号说明 Model descriptions

DSG06 — F \*\* — A L \* \*

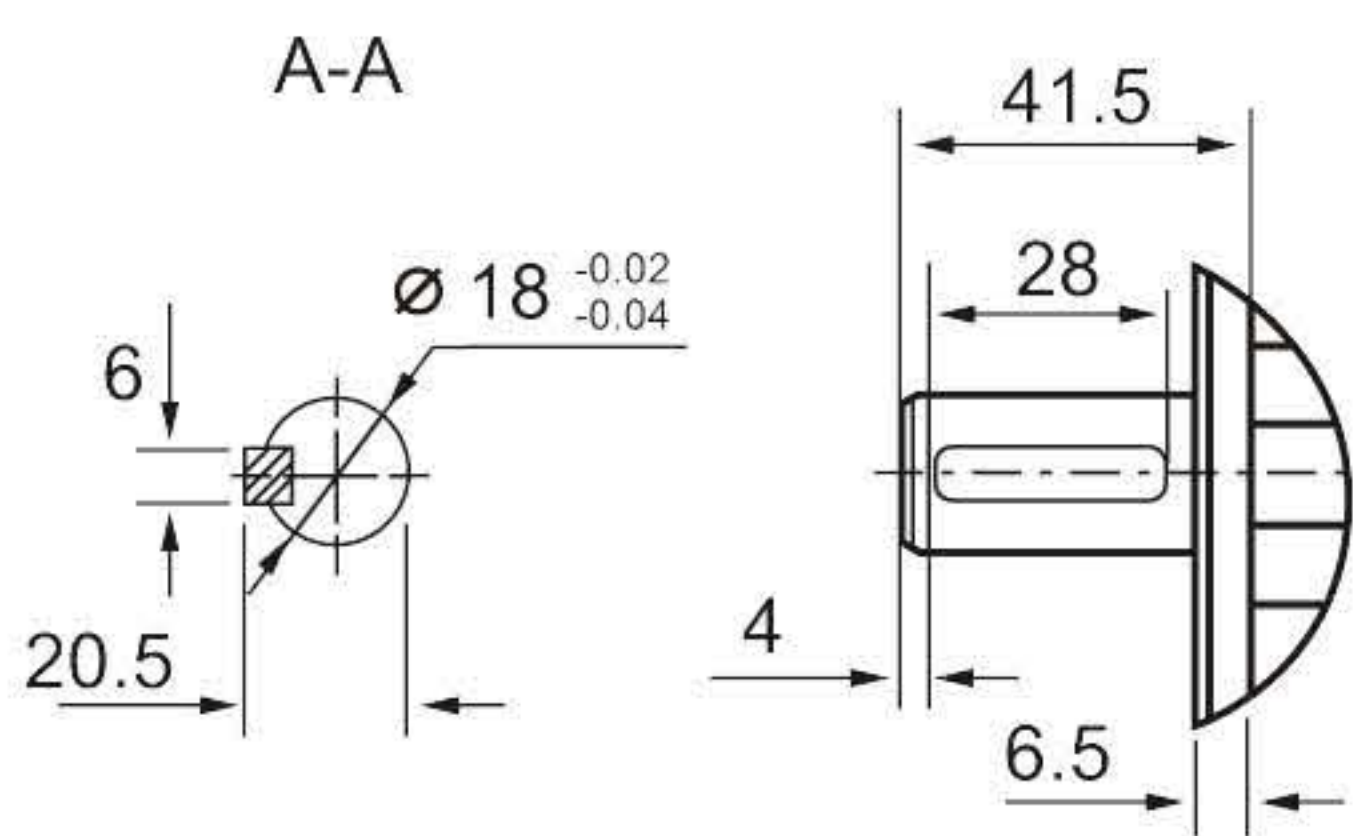
①            ② ③            ④ ⑤ ⑥ ⑦

- ①产品代号 Product code
- ②压力等级 Pressure grade F:20MPa
- ③公称排量 Nominal displacement(mL/r)
- ④安装形式 Installation type A:菱形法兰 Rhombic flange  
B:菱形法兰带螺孔 Rhombic flange with screw hole
- ⑤油口形式 Pump port  
L:英制螺纹联接 inch threaded connection  
T:特殊螺纹联接 special threaded connection  
LG:公制螺纹联接 metric threaded connection
- ⑥轴伸形式 Shaft type P:平键 straight key  
H:矩形花键 rectangular spline  
Φ:SAE花键 SAE spline
- ⑦旋 向 Direction of rotation  
L:左旋 Left rotation (逆时针 counterclockwise)  
R:右旋 Right rotation (顺时针 clockwise)

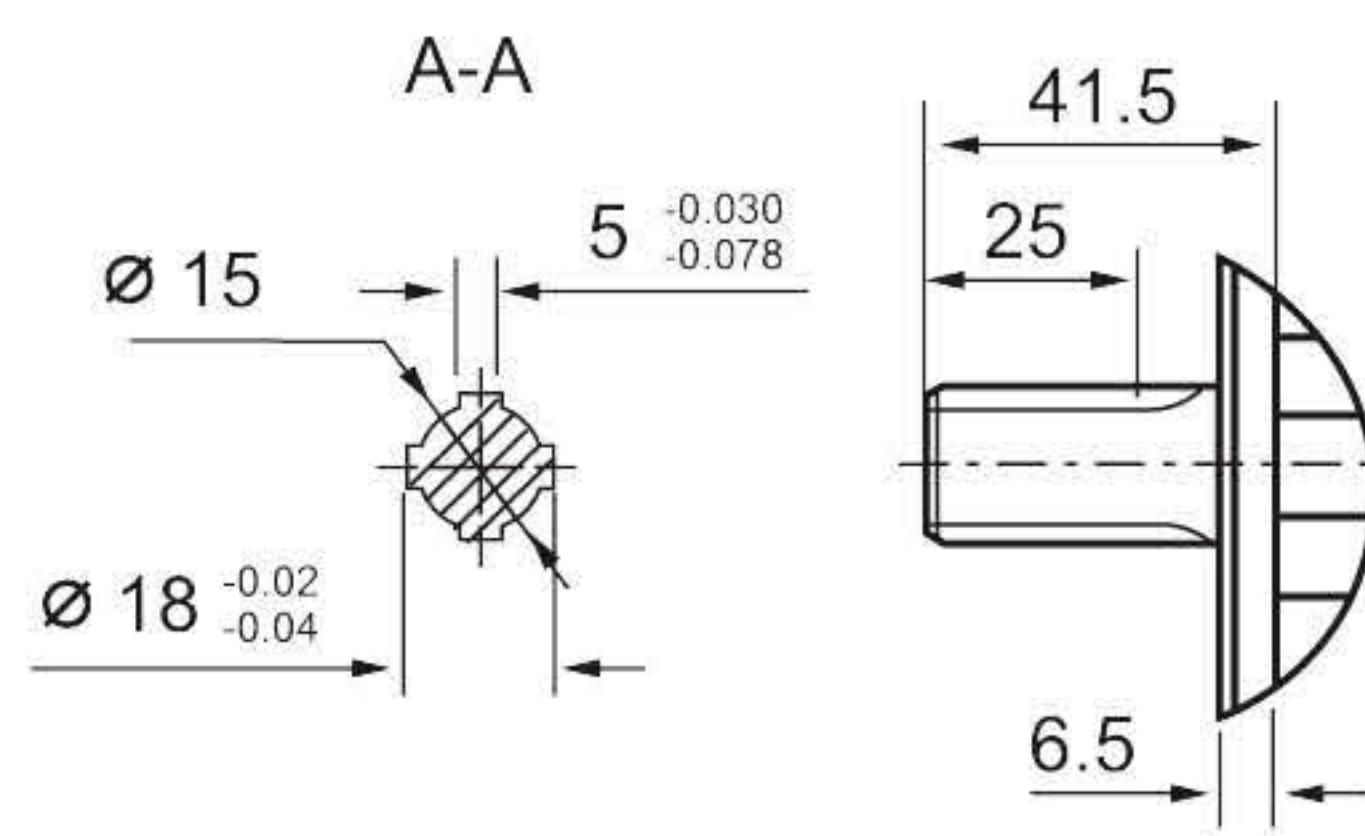
### 外形图 Layout



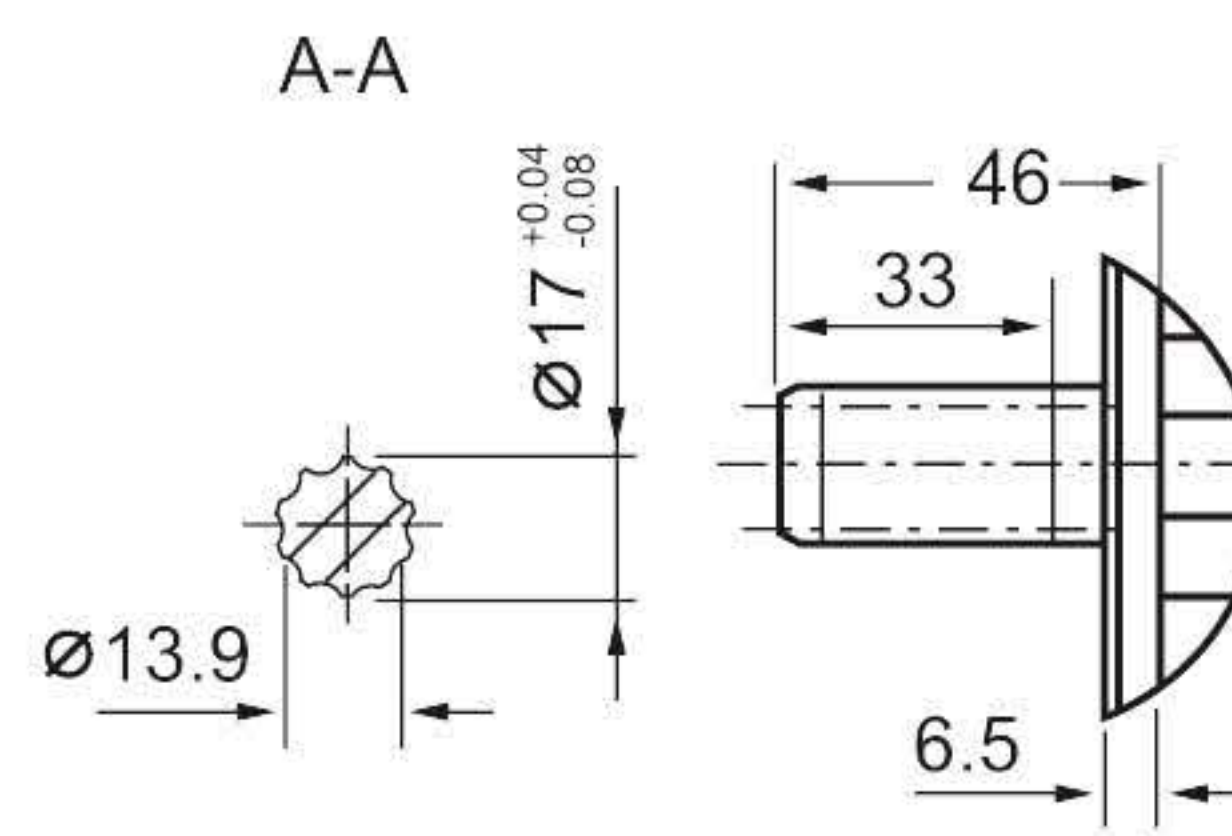
#### 平键 Plain key



#### 矩形花键 Rectangular spline



#### SAE花键 SAE spline



径节 D.P	16/32
齿数 Teeth No.	10
压力角 Pressure angle	30°
齿根形式 Teeth root type	平齿根 Flat teeth root
大径 Major diameter	$\varnothing 17^{+0.08}_{-0.08}$
小径 Minor diameter	$\varnothing 13.9^{0}_{-0.1}$

### 性能参数 Performance parameters

型号 Models	公称排量 Nominal displacement (mL/r)	压力 Pressure (Mpa)		转速 Rotation speed (r/min)			容积效率 Volumetric efficiency ( $\geq\%$ )	L	L1	重量 Weight (kg)
		额定 Rated	最高 Max	最低 Min	额定 Rated	最高 Max				
DSG06-F11-AL**	11	20	25	500	2000	3000	90	57	123	3.5
DSG06-F12-AL**	12							57.5	124	3.6
DSG06-F14.5-AL**	14.5							59.5	128	3.7
DSG06-F16-AL**	16							60.5	130	3.8
DSG06-F18-AL**	18							62	133	3.9
DSG06-F20-AL**	20							63.5	136	4.0