

C101/102自卸车齿轮泵

C101/102 dump truck gear pumps



PIONEER FLUID POWER

此泵为泵阀连体结构，由齿轮泵，换向阀、安全阀等组成。专为各种单作用油缸提供动力泵，且安装方便并有多种油路形式。采用浮动侧板、多轴承支撑、结构简单、工作可靠、耐冲击性、维修方便。

C101/102 gear pumps are of the structure that connect the pump casing and valve as a whole body with the composition of reversing valve, safety valve, pump, etc. The pump is particular for the power source of single-acting cylinder with easy installation and variety of options of hydraulic circuits. With floating side plate and multi-bearing supporting, the pumps are featured with simple structure, reliable operation, strong shock resistance and easy maintenance.

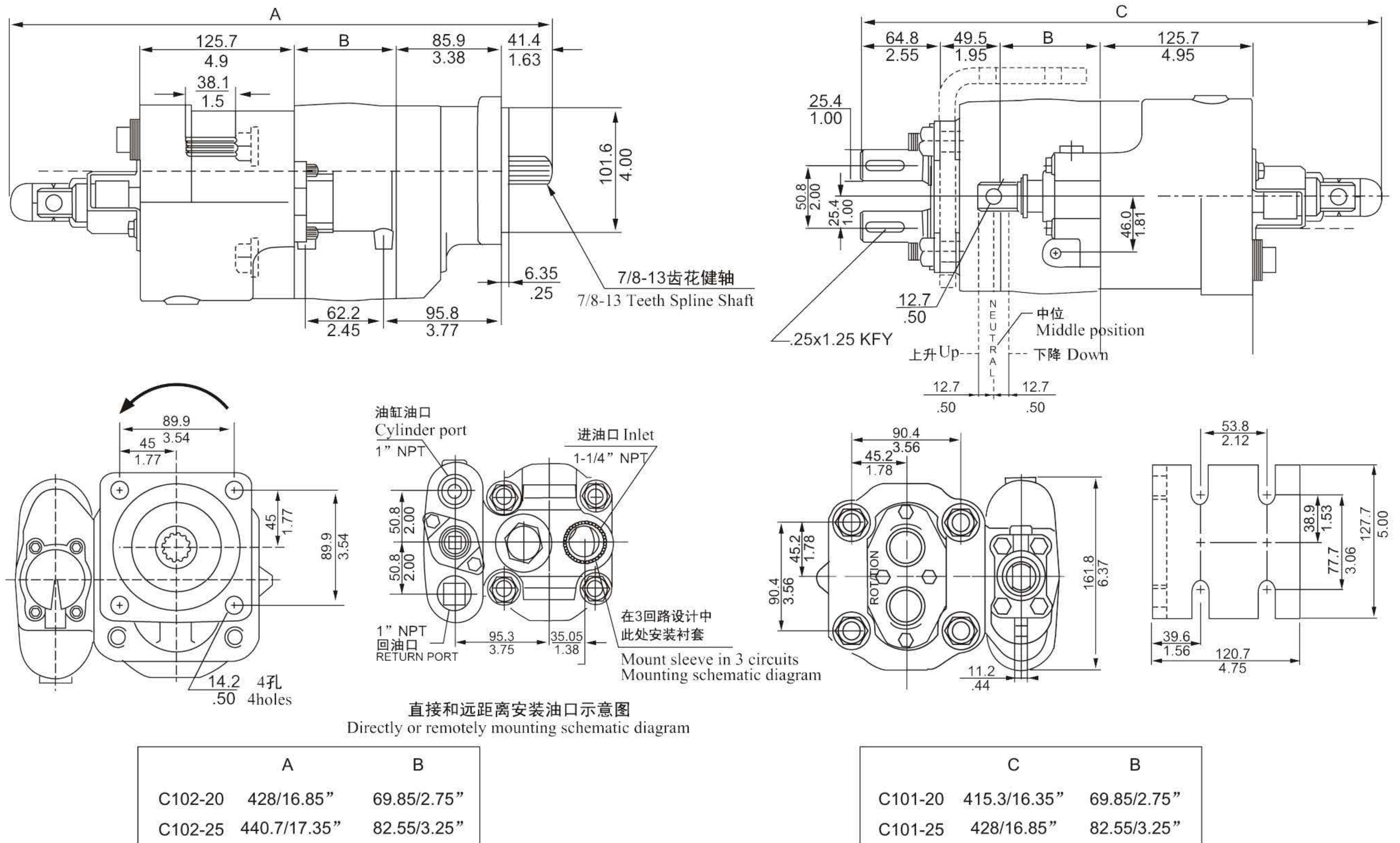


型号说明 Model descriptions

C101/102 - ** - * - * - ** - **
① ② ③ ④ ⑤ ⑥

- ①产品代号 Product code
- ②齿宽(in) Teeth width(in) 20: 2.0" 25: 2.5"
- ③回路Circuit 2回路(无3回路衬套) 2 circuits (without 3 circuit sleeves)
3回路(带3回路衬套) 3 circuits (with 3 circuit sleeves)
- ④旋向 Direction of rotation L:左旋 Left rotation (逆时针 counterclockwise)
R:右旋 Right rotation ((顺时针 clockwise)
- ⑤操作方式 Operation style AS:气动 Pneumatic MS:手动 Manual
- ⑥安全阀压力 Safety valve pressure 20: 14Mpa 25: 17.5Mpa 27: 20Mpa

外形图 Layout



性能参数 Performance parameters

型号 Models	齿宽 Teeth width (in)	排量 Displacement (mL/r)	压力 Pressure (MPa)		转速 Rotation speed (r/min)		容积效率 Volumetric efficiency (≥%)	输入功率 Input power (KW)	特点 Features
			额定 Rated	最高 Max	额定 Rated	最高 Max			
C101-20	2	90	17/20	25	2000	2500	90	70	双轴 Double shaft
C101-25	2 1/2	112						85	
C102-20	2	90						70	单轴 Single shaft
C102-25	2 1/2	112						85	