

GPG55 自卸车举升泵

GPG55 dump truck lifting gear pumps

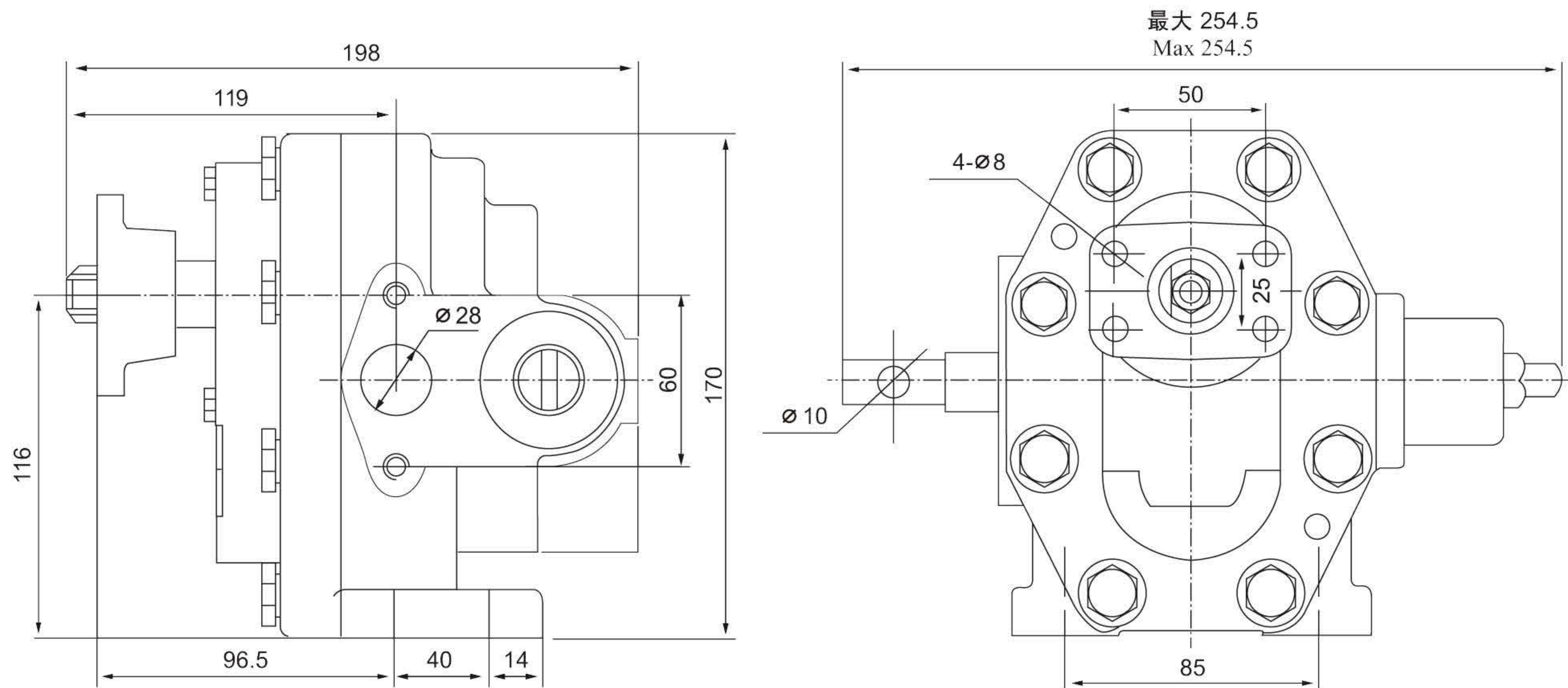


GPG55举升泵主要用于4-6吨自卸车的液压系统中，作为倾斗油缸的液压动力源，该泵采用高强度铸铁材料，使其承受能力极强，内部结构采用了双金属侧板，操纵阀与止回阀与泵体联体等多项先进技术，该泵具有工作压力高，使用寿命长，泵阀一体简化液压系统等特点是自卸车液压系统的理想动力源。

GPG55 lifting gear pumps are mainly applied in 4-6 tons dump truck hydraulic system as the hydraulic power source of bucket cylinder. Adopting the material of high strength casting iron and the advanced technology of double metal side plates with special structure to connect control-valve, return-valve and pump as a whole body, the pumps are featured of strong resistance of high working pressure, long lifetime, smart and simple hydraulic system as integration of pump and valve, which makes the pump being the ideal power source of dump truck hydraulic system.



外形图 Layout



性能参数 Performance parameters

理论排量: 55 ml/r
 额定压力: 70 kgf/cm²
 控制阀杆的钢丝作用力: 13 kg
 油泵总量: 13 kg
 Theoretical displacement: 55ml/r
 Rated pressure: 70kgf/cm²
 Steel cable force of controlling valve: 13 kg
 Total weight of oil pump: 13 kg

工作条件 Working conditions

油液过滤精度: ≤25um
 吸油: ≤500mm
 驱动: 采用挠性联轴器直接驱动
 旋转方向: 逆时针 (从轴端看)
 Oil filter precision: ≤25um
 Oil suction height: ≤500mm
 Drive: use flexible coupling by direct drive
 Direction of rotation: counterclockwise (from shaft end of pump)