

KP35B自卸车举升泵

KP35B dump truck lifting gear pump



PIONEER FLUID POWER

本系列产品主要用于4-6吨自卸车的液压系统中，作为倾斗油缸的液压动力源，泵上装有与泵体内联的操纵阀，可通过操纵杆控制车斗的举升和降落。

KP35B series pumps are mainly applied in the hydraulic system of 4-6 tons capacity dump truck as the hydraulic power source of the bucket cylinder. The bucket can be lifted and lowered by operating the joystick on the control valve, which was assembled with the pump as a whole body in inner-connected way.

性能参数 Performance parameters

理论排量: 35ml/r

Theoretical Displacement: 35ml/r

最高实验压力: 175kgf/cm²

Max testing pressure: 175kgf/cm²

额定压力: 45kgf/cm²

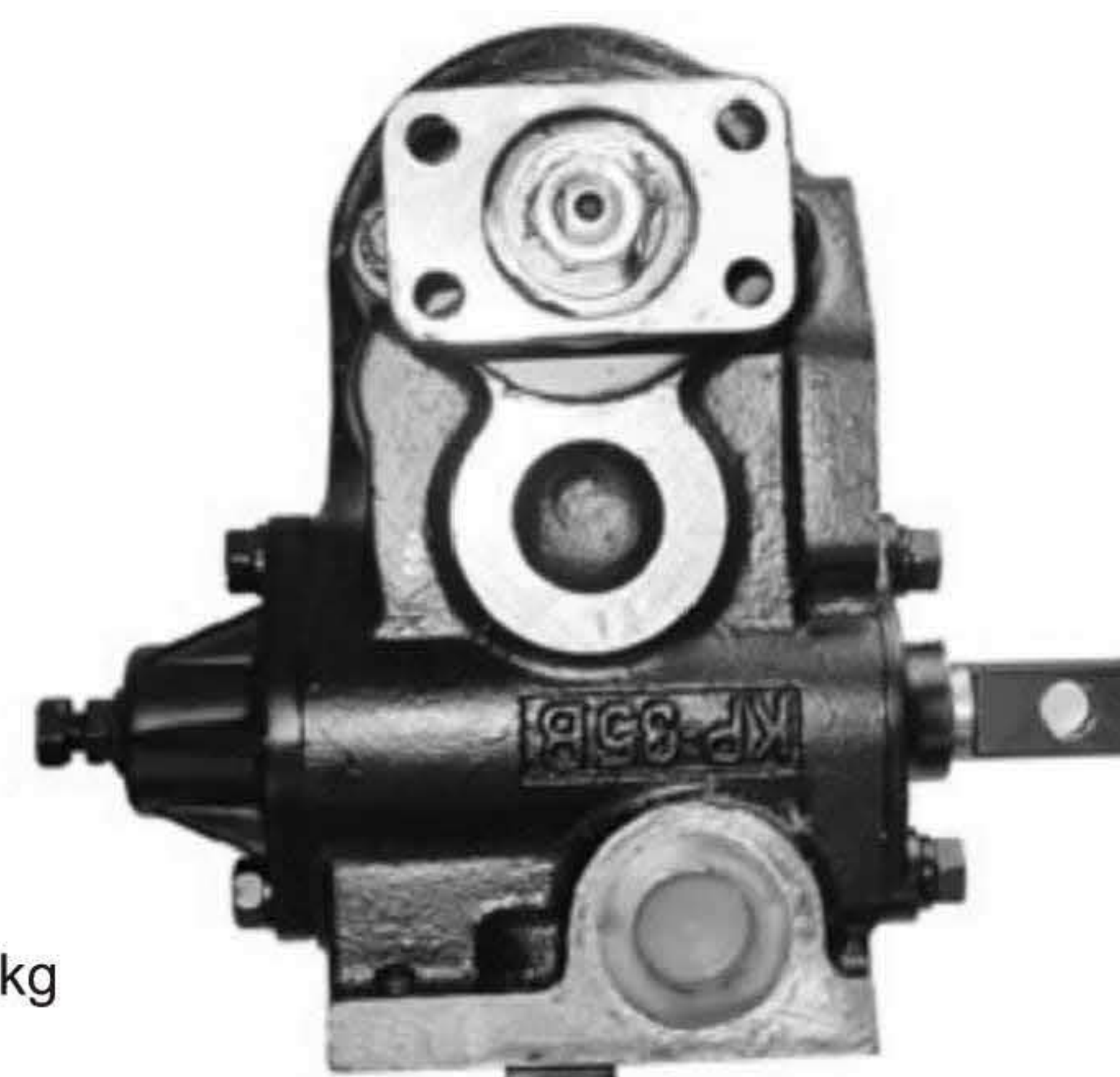
Rated pressure: 45kgf/cm²

控制阀杆的钢丝作用力: 10kg

Force on the steel cable of control valve: 10 kg

油泵总质量: 10kg

Total weight of oil pump: 10 kg



外形图 Layout

